



PRODUCT CATALOG



AGS-Industrial, Ph: +1-505-550-6501 & +1-505-565-5102, Fx: +1-505-814-5778
 Email: sales@ags-industrial.com, Website: <http://www.ags-industrial.com>



OUR COMMITMENT TO EXCELLENCE

AGS-Industrial is a major supplier of IBCs and the industry's largest and fastest growing IBC sales, and service company. Our growth and success has been the result of a dedication to providing innovative solutions and exceptional service to our customers. Our qualified staff has a thorough understanding of your needs and we are committed to providing you with the highest level of customer satisfaction.

INDEX

- 3.....Stainless Steel - Standard Side Discharge
- 5.....Stainless Steel - Center Discharge
- 7.....IBC Slings
- 7.....IBC Carriers
- 8.....Liquid Level Gauges
- 8.....Universal IBC Stands
- 9.....IBC Intel
- 10.....The WOW Service Truck
- 11....GPS Tracking
- 11....Sales and Service
- 12....Square Stackable IBC
- 13....Ultratainer IBC
- 14....Megatainer IBC
- 15....Mauser SM13 Limited Life IBC
- 15....Flowmaster Dry Bin
- 16....Containment Sumps
- 17....IBC Heating Options
- 17....Custom Feed Systems
- 18....IBC Replacement Parts
- 19....Poly IBC Replacement Parts
- 20....UN/DOT Closure Requirements
- 21....Notes

SAFETY DOESN'T HAPPEN BY ACCIDENT

At AGS-Industrial we make great strides to create a safe work environment for our employees. We provide our team of IBC experts with the education, training and necessary tools and equipment to prevent on-site accidents and injuries. As a result of this responsibility, AGS-Industrial has established "Precision Safe" as the ultimate benchmark for safety promotion.

When you see the "**Precision Safe**" seal on any of our IBCs, take comfort in knowing that it comes from a place where safety is a #1 priority. And while our goal is to always strive to be a zero accident culture, we feel that is not enough. Our greater mission is to encourage everybody whom we do business with - from suppliers to customers - to also embrace the importance of a safe work environment. The "Precision Safe" seal represents the inherent value that safety is not an idea, but rather a mission we are all aiming to achieve.

All of our IBCs that carry the "Precision Safe" seal meet a standard of safety, security and performance before ever reaching our customers. And thus, a stainless steel IBC from AGS-Industrial gives you maximum peace of mind when shipping, handling or storing your valuable product.



STAINLESS STEEL - STANDARD SIDE DISCHARGE

The ECOsafe stainless steel IBC UN31A specification permits the shipment of flammable and combustible liquids as authorized by Title 49 CFR.

EVERY ECOSAFE STAINLESS STEEL SIDE DISCHARGE IBC COMES COMPLETE WITH THE FOLLOWING:

- UN/DOT compliant (31A)
- Sloped bottom for virtual 100% discharge
- 22" top manway with EPDM gaskets and bolted clamp ring
- 3" top fill fitting with fusible cap and lanyard
- 2' top bung fitting
- 2' bottom discharge with lockable stainless steel ball valve
- Stainless steel data plate
- Heavy duty lifting lugs/leg positioners
- Safety decals
- Forklift and stacking capability

**NEW &
RECONDITIONED
OPTIONS AVAILABLE**



1. Lid with SS fusible cap
2. Lifting lugs/leg positioners

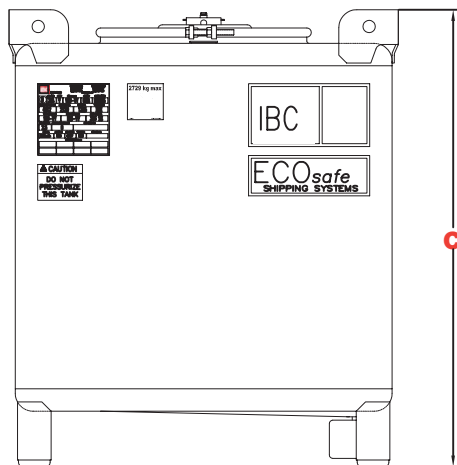
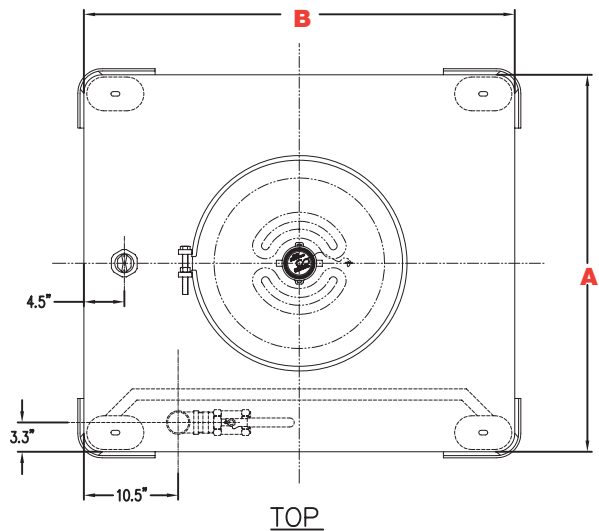
Replacement parts available.
Please see page 19.



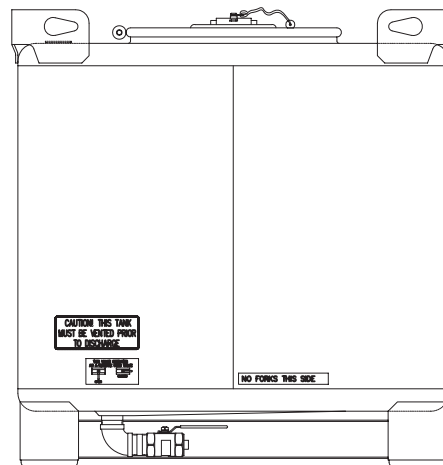
DID YOU KNOW?

- Fork pockets, anti-teeter bars and heavy duty marine lugs are available upon request
- 316SS option available

IBC				
IBC TYPE	GROUP	MFG. mm-yy	COUNTRY	MANUFACTURER
31A	Y	MM-YY	USA	M5835
STACKING TEST LOAD Kg	MAX. GROSS Kg	CAPACITY L	TARE MASS Kg	
2419	1344	624	XXX	
TEST DATE mm-yy	INSP. DATE mm-yy	MAT'L OF CONST.		
MM-YY	MM-YY	304 SS		
MIN. THICK mm	MAX. FILL/DIS. PRES. kPa	MFG. SERIAL NO.		
2.5	0			
MODEL NO.	CAPACITY Gal	MAX. GROSS lb	TARE MASS lb	CUST. SERIAL NO.
ECOsafe	165	2965	XXX	
DATE RETESTED mm-yy				



FRONT



SIDE

STANDARD STAINLESS IBC SIZES

NOMINAL CAPACITY* [US GALLONS]	TARE WEIGHT*	LENGTH*	WIDTH*	HEIGHT*
		A	B	C
126	265 lbs	42"	48"	27"
165	325 lbs	42"	48"	30"
250	390 lbs	42"	48"	39"
350	475 lbs	42"	48"	51"
550	640 lbs	42"	48"	75"

*All dimensions, gallons, and weights are nominal.



STAINLESS STEEL - CENTER DISCHARGE

The ECOsafe stainless steel IBC UN31A specification permits shipment of flammable and combustible liquids as authorized by Title 49 CFR.

EVERY ECOSAFE STAINLESS STEEL CENTER DISCHARGE IBC COMES COMPLETE WITH THE FOLLOWING:

- UN/DOT compliant (31A), 304SS
- Center discharge drain
- Sloped bottom for virtual 100% discharge
- 22" top manway with EPDM gasket and bolted clamp ring
- 3" top fill fitting with fusible cap and lanyard
- 2" top bung fitting
- 2" bottom discharge with lockable stainless steel ball valve
- Fork Channels
- Stainless steel data plate
- Heavy duty lifting lugs/leg positioners
- Safety decals
- Forklift and stacking capability

**NEW &
RECONDITIONED
OPTIONS AVAILABLE**



1. Lid with SS fusible cap
2. Lifting lugs/leg positioners

Replacement parts available.
Please see page 19.

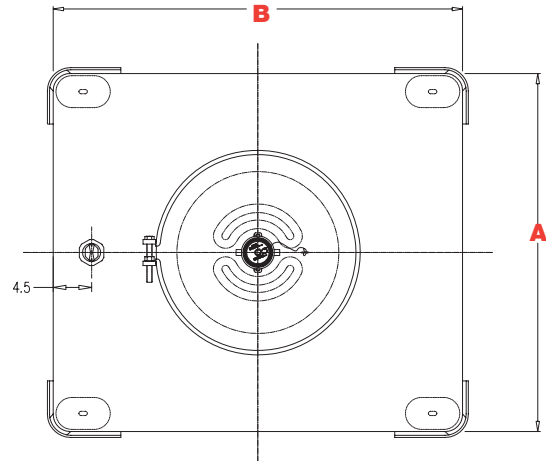


DID YOU KNOW?

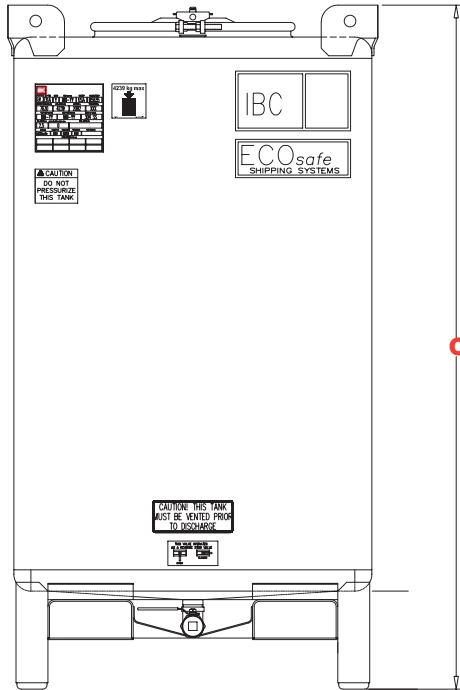
Information including UN certification code, material of construction, tare weight, maximum gross weight, serial number and original manufacturer date can be found on the stainless steel data plate welded on to the front of each stainless steel tank.
(See detailed drawing on page 6.)

IBC					
IBC TYPE	GROUP	MFG. mm-yy	COUNTRY	MANUFACTURER	
UN 31A	Y	MM-YY	USA	M5835	
STACKING TEST LOAD Kg	MAX. GROSS Kg	CAPACITY L	TARE MASS Kg		
7630	4239	2082	XXX		
TEST DATE mm-yy	INSP. DATE mm-yy	MAT'L OF CONST.			
MM-YY	MM-YY	304 SS			
MIN. THICK mm	MAX. FILL/DIS. PRES. kPa	MFG. SERIAL NO.			
2.5	0				
MODEL NO.	CAPACITY Gal	MAX. GROSS lb	TARE MASS lb	CUST. SERIAL NO.	
ECOsafe	550	9346	XXX		
DATE RETESTED mm-yy					

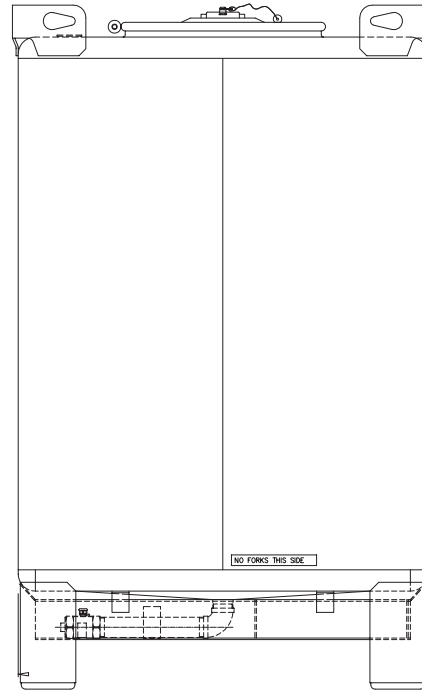
SAMPLE OF DATA PLATE DETAIL



TOP



FRONT



SIDE

CENTER DISCHARGE STAINLESS IBC SIZES

CAPACITY* [US GALLONS]	TARE WEIGHT*	LENGTH*	WIDTH*	HEIGHT*
		A	B	C
350 CENTER	598 lbs	42"	48"	53"-56"
550 CENTER	768 lbs	42"	48"	77"-80"
793 CENTER	1041 lbs	54"	54"	80"

*All dimensions, gallons, and weights are nominal.



IBC SLINGS

AGS-Industrial offers wire slings compatible with our IBCs and carriers. Our standard four leg wire sling is corrosion resistant and perfect for Gulf of Mexico offshore use. Shackles fit easily through equipment lifting lugs allowing tanks to still be stacked. Slings are serialized for identification and tracking purposes.

FEATURES:

- ½" x 5' drawn galvanized, four leg sling
- 1" Master link on sling top
- Galvanized, heavy duty thimble on each end
- 5/8" Columbus McKinnon bolt-type safety shackle at the bottom of each leg
- DNV 2.7-1 spec slings are also available
- 6 ft. sling option also available
- Can be custom built to meet your specific requirements and specifications
- Additional shackle options available



DID YOU KNOW?



Our clamp ring protector (part #1447) will protect your sling from hanging up on the clamp ring bolt.

IBC CARRIERS

Our ECOcarrier is the answer to offshore loading and unloading nightmares.

FEATURES:

- Certified to DNV Standards: 2.7-1 by Lloyds Registry
- Maximum Gross Weight Rating: 4,990 kg (11,000 lbs)
- Tare Weight: 771 kg (1700 lbs)
- Maximum Safe Working Load: 4,219 kg (9,300 lbs)
- Construction of Carbon Steel: hot dipped galvanized
- Loading door features dual locking latch; can be top loaded
- Floor is solid to provide a drip pan, with integrated drain
- Bottom is completely closed with fork pockets
- Outside surfaces are flush, with no protrusions to cause hangups
- Tanks are secured with built-in 4" strapping
- Top Protector available on request
- Will handle as many as 15 different IBC specifications



LIQUID LEVEL GAUGES

AGS-Industrial offers a variety of level gauge options to fit your specific application including Krueger At-A-Glance direct reading level gauges and Kenco Engineering side-mount or bottom plumbing bulk tank gauges. Materials of construction as well as units of measure are application driven making most level gauges custom order, non UN items.

AT-A-GLANCE FLOAT GAUGE FEATURES:

- Calibration consists of 3 pieces: outer plastic piece, inner piece and a piece of paper in between. Optional glass internal piece is available
- Red lock nut - HDPE Plastic. Also available in aluminum or PVC
- Bushing - aluminum bushing available in 1 1/2" or 2". This is the only material bushing available for this model
- HDPE float - also available in stainless or Nitrophyll
- Internal rods - standard construction is galvanized steel rods with brass rivets. Optional stainless rods available



KENCO 8800 SERIES LEVEL GAUGE:

- The 8800 Series level gauge features 90° connections for ease of installation
- Gauge is fitted with inline 1/4" FNPT vent and drain connections
- 3 sides of the gauge are enclosed with a metal frame
- Gauge face is protected with a polycarbonate shield
- Shield can be custom calibrated to read tank volume or any other calibration



UNIVERSAL IBC STANDS

Our universal tank stands offer easy access and discharge of IBCs at various heights. These stands accommodate stainless or carbon steel IBCs as well as poly or limited life containers, and can handle side and center discharge tanks. Horizontal support bracing is offset so buckets or other containers can be placed directly under the valve. Stands are constructed of carbon steel, painted and safety striped.

FEATURES:

- 40" x 46" base dimension
- 12" wide top platform panels
- 46" x 50" overall top platform dimension
- 22" between top panels

ADDITIONAL INFORMATION

- Standard sizes include: 12", 24", 36", 48", and 54" heights
- Custom stands available



GPS TRACKING

RUGGED CAPABILITIES FOR RUGGED CONDITIONS

When you're in charge of monitoring valuable assets, you have a lot of questions.

- Where is my equipment?
- How long has it been gone?
- Where has it been?
- When will it be ready for the next job?

Our GPS-based equipment tracking solution answers those questions for you—instantly. It gives you on demand control over your high value, mobile, dispersed and remote equipment. You'll know that your tanks are secure and accounted for, whether it's in your facility or halfway around the world. Get the answers you need for strategic decision making, such as near real-time current and historical location data for your tanks, worldwide, all in a user-friendly integrated system.

SALES & SERVICE

ONE-STOP SOURCE FOR IBC RENTAL, SALES, SERVICE AND FLEET MANAGEMENT

AGS-Industrial is a full service IBC provider. It is our goal to provide unrivaled customer service in everything we do. Don't let downtime cost your company money.

Our packaging consultants are trained and available to answer your questions, ease your concerns, and fill your needs as quickly and efficiently as possible. Our service technicians are available 24 hours a day, 7 days a week to ensure that whenever you need us, we can provide the assistance and solution you need.

Whether it is testing, welding, repair services, or customized parts and accessories, AGS-Industrial employees are highly qualified and experienced in performing needed repairs to your IBCs.



DID YOU KNOW?

- Per Title 49 CFR, all IBCs must be leak proof tested every 2 1/2 years and all UN stainless steel IBCs must have a metal thickness test every five years.

SQUARE STACKABLE IBC

The Square Stackable is the industry's best selling, all poly IBC providing value in long term, reusable applications for both hazardous and non hazardous liquids. Designed for easy, safe handling, the Square Stackable is available in both Heavy Duty and Premium options.

FEATURES:

- UN/DOT Certified (31H2)
- Packaging group II and III materials per Title 49 CFR
- ½" wall thickness HDPE
- 1.9 Specific Gravity
- 6" screw cap with security tether
- 2" plastic vacuum relief vent
- Two 2" bungs in the top of the tank
- 2" standard port bottom drain valve
- Molded-in gallonage markers
- Forklift and stacking capability

NEW & RECONDITIONED OPTIONS AVAILABLE



SPECIFICATIONS

CAPACITY* [US GALLONS]	TARE WT*	BASE*	HEIGHT*
120 Premium	185 lbs	45" x 45"	36 ½"
220 Premium	211 lbs	45" x 45"	48 ½"
275 Premium	232 lbs	45" x 45"	56"
330 Premium	257 lbs	45" x 45"	63 ½"

ALSO AVAILABLE

- Viton gasket package
- Molded-in company logos and product information

Replacement parts available.
Please see page 20.

SPECIFICATIONS

CAPACITY* [US GALLONS]	TARE WT*	BASE*	HEIGHT*
120 HD	160 lbs	45 ¾" x 45 ¾"	34 ¼"
220 HD	188 lbs	45 ¾" x 45 ¾"	46 ¼"
275 HD	209 lbs	45 ¾" x 45 ¾"	53 ¾"
330 HD	234 lbs	45 ¾" x 45 ¾"	61 ¼"

*All dimensions, gallons, and weights are nominal.



ULTRATAINER IBC

Unique cylindrical tank design eliminates corners, ribs and seams, and lends itself well to mixing and cleaning operations. Each tank is designed for easy, safe handling and has forklift and stacking capability.

FEATURES:

- UN/DOT Certified (31H1)
- Packaging group II and III materials per Title 49 CFR
- ½" wall thickness HDPE
- 1.9 Specific Gravity
- 6" screw cap with security tether
- 2" plastic vacuum relief vent
- Two 2" bungs in the top of the tank
- 2" standard port bottom drain valve
- Molded-in gallonage markers
- Forklift and stacking capability

**NEW &
RECONDITIONED
OPTIONS AVAILABLE**

SPECIFICATIONS

CAPACITY* [US GALLONS]	TARE WT*	LENGTH*	WIDTH*	HEIGHT*
220	268 lbs	46"	46"	54"
275	289 lbs	46"	46"	62"
330	309 lbs	46"	46"	70"

*All dimensions, gallons, and weights are nominal.

ALSO AVAILABLE

- 20" lid opening for applications requiring more access to tank's interior for mixing or cleaning
- Heavy weight (62 PSIG) option available
- Optional retractable lifting lugs offer superior top-lifting capacity with crane-hook attachments



Replacement parts available.
Please see page 20.

MEGATAINER IBC

The industry's largest UN all poly IBC, can house hazardous and non-hazardous liquids up to 550 gallons.

FEATURES:

- UN/DOT certified (31H2)
- Packaging group II and III materials per Title 49 CFR
- ½" wall thickness, HDPE Linear
- 1.9 Specific Gravity
- 2" bungs, one in tank top and one in tank lid
- 2" plastic vacuum relief vent
- 6 ½" heavy-duty fill cap with tether
- 2" full port bottom drain valve
- Molded-in and inked gallon markers
- Forklift and stacking capability



SPECIFICATIONS

CAPACITY* [US GALLONS]	TARE WT*	LENGTH*	WIDTH*	HEIGHT*
550	570 lbs	81"	48"	60"

*All dimensions, gallons, and weights are nominal.

Replacement parts available.
Please see page 20.

DID YOU KNOW?

- Top lifting assembly is available with our Megatainer



MEGATAINER IBC LX

SPECIFICATIONS

CAPACITY* [US GALLONS]	TARE WT*	LENGTH*	WIDTH*	HEIGHT*
550 LX	542 lbs	81"	48"	60"

*All dimensions, gallons, and weights are nominal.



MAUSER SM13 LIMITED LIFE IBC

Each new economical, limited life SM13 IBC comes with a rigid welded galvanized tubular steel grid. The pressed galvanized steel base shape supports the inner container and assists with the total discharge.

FEATURES:

- HDPE bottle
- 6" opening with screw cap
- 2" poly discharge valve
- Certified UN31HA1
- Forklift and stacking capability

SPECIFICATIONS

CAPACITY* [US GALLONS]	TARE WT*	BASE*	HEIGHT*
275	132 lbs	40" x 48"	45"
330	137 lbs	40" x 48"	53"

*All dimensions, gallons, and weights are nominal.

Replacement parts available. Please see page 17.



DID YOU KNOW?

The SM13 IBC can be hot filled up to 140°F and has been tested to hold contents at this temperature for 14 days (as per 49 CFR 173).

FLOWMASTER

The Flowmaster poly dry bulk bin is designed with an 8" or 12" valve and a 45 degree hopper for dry flowable materials. Multiple top opening and valve options as well as custom sizes are also available.

FEATURES:

- ½" thick all plastic HDPE construction
- Seamless, smooth interior surface
- Butterfly, slide gates, iris and sanitary valves available
- Forklift and pallet jack accessible
- Optional retractable lifting lugs

SPECIFICATIONS

CAPACITY*	BASE*	HEIGHT*
25 cu ft	48" x 48"	54 ¾"
40 cu ft	48" x 48"	67"
50 cu ft	48" x 48"	77 ¼"
60 cu ft	48" x 48"	83 ¾"
80 cu ft	48" x 48"	100 ½"

*All dimensions, gallons, and weights are nominal.

ALSO AVAILABLE

- Flowmaster for viscous products



CONTAINMENT SUMPS

Protect your company against hazardous IBC spills with the portable, cost effective protection of the Saf-Tainer. It is the most cost effective system on the market today. The unique polyethylene design reduces the risk of unrecoverable spills and protects the environment. Its economical price and versatile design saves you money while safely addressing your company's ever-changing environmental concerns.

FEATURES:

- Meets 40 CFR 264.175
- 100% polyethylene construction
- 8000 lb. static load capacity
- 2" bottom drain plug
- Removable internal platform can be used as an IBC stand
- 485 gallon sump capacity
- Forklift channels for portability



DID YOU KNOW?

Saf-Tainer containment basins are compatible with all poly IBCs up to 330 gallon and metal IBCs up to 350 gallon. (Top grating required.)

Our metal containment sumps offer 110% product containment for all industrial applications and comply with EPA and OSHA regulations. Constructed of 10 gauge carbon steel with galvanized grating, these durable sumps can be made for any size tank. Spills can be recovered easily with a 2" drain plug.

FEATURES FOR A SS-550 GALLON:

- 60" x 96" base dimension
- 25" overall height
- 625 gallon capacity
- Powder coat painted

ALSO AVAILABLE

- Custom sizes to accommodate heights, floor space restrictions, or other capacities
- Stainless steel construction option



IBC HEATING OPTIONS



BELLY BAND IBC HEATERS work with all metal IBCs and provide a practical, efficient means of freeze protection, viscosity control and maintenance of materials at elevated temperatures.



WRAP-AROUND TANK HEATERS speed up the flow of slow moving and uncooperative contents such as honey, molasses and lube oil and are designed to work with caged, plastic or metal IBCs.



INSULATING TANK BLANKETS are made of Herculite high performance industrial fabric with ½" dense foam insulation for ultimate durability. Custom made to fit any metal or poly tank.



INTERNAL COIL is a lid mounted heating or cooling option for metal IBCs constructed of 1" schedule 40 stainless steel pipe with 1" NPT inlet and outlet fittings. The coils work with steam, hot water, or glycol-based mediums and can also be used for cooling.



HEATING/COOLING PANELS can be applied to 1 to 4 sides of a metal IBC during manufacturing and work with steam, hot or cold water, or glycol-based mediums. Inlet and outlet fittings are 1" NPT. (Not recommended for UN tanks.)

DID YOU KNOW?

The temperature range for stainless steel IBCs is -20°F to 250°F.

FEED SYSTEMS



Piggyback feed systems offer the convenience of receiving a transporter tank onto a permanent base tank. Keep your product flowing with Precision IBC's feed system including a 12" universal spacer stand and discharge hose.

ALSO AVAILABLE

Custom feed systems for your specific application.

STAINLESS STEEL REPLACEMENT PARTS

AGS-Industrial carries a full line of replacement parts for your tanks. If you don't see the item you are looking for, be sure to contact one of our knowledgeable packaging consultants.

 <p>L1196B22" lid with 3" nipple L1197A22" lid with 2" Reike vent L1196BX.....22" lid with extra bung</p>	 <p>1140A3" fusible cap 1131.....3" Teflon gasket 1137.....3" Buna gasket</p>	 <p>1061.....22" plated clamp ring w/ nut & bolt 1015.....22" SS clamp ring</p>	 <p>1126..... 22" EPDM thick gasket 1126V..... 22" EPDM gasket full overlap 1123BFW.. 22" Teflon coated gasket 1124..... 22" Viton coated gasket 1123B..... 22" Teflon coated gasket - blue</p>
 <p>10-0200.....2" reverse handle SS ball valve 10-0201.....2" standard handle SS ball valve 10-0200A.....2" reverse handle SS ball valve w/ QC 1005.....2" emergency valve SS ball valve w/ QC</p>	 <p>1214.....2" SS dust cap 1043.....2" poly dust cap 1148.....2" EPDM dust cap gasket 1148V.....2" Viton dust cap gasket</p>	 <p>1113T.....3" 5:1 vent, Teflon gasket 1113V.....3" 5:1 vent, Viton gasket</p>	 <p>1208.....No Forks This Side Caution Vent Tank Caution Do Not Pressurize Valve Open/Close Valve Close/Open (reverse)</p>
 <p>1038.....2" SS hex bung plug 1037DSS.....2" SS round bung plug 1127.....2" Reike bung gasket, EPDM 1127WE2" EPDM bung gasket 1130.....2" Teflon bung gasket</p>	 <p>1105.....2" poly shipping plug</p>	 <p>1447.....22" clamp ring protector 1446.....Sling guard, red</p>	 <p>1214E.....2" SS elbow 1214N.....2"x 3" SS nipple</p>
	 <p>1210.....2" SS adapter, straight</p>	 <p>1210A.....2" SS adapter, 15 degree</p>	 <p>1112T.....2" 3:1 vent, Teflon 1112V2" 3:1 vent, Viton 10792" Reike fusible vent 11182" smart vent, Teflon 1320B.....2" vac/pressure vent, Viton 13202" double vacuum vent, Viton</p>



POLY IBC REPLACEMENT PARTS

As a major distributor for many poly IBC manufacturers, we stock a wide variety of the most commonly used replacement parts, with no minimum order requirement. Please call us if you need assistance.



1056C 6" cap with 2" bung, EPDM
1056CV 6" cap with 2" bung, Viton



1056B 2" vacuum vent, EPDM
1056V 2" vacuum vent, Viton
1320B 2" vacuum pressure vent, Viton



1056G 6" EPDM gasket
1055V 6" Viton gasket



1040 2" poly ball valve
1043 2" poly dust cap
1148 2" dustcap gasket, EPDM



1035A 2" poly plug



1159A 2" replaceable bung
1159B 2" EPDM "O" ring
1159V 2" Viton "O" ring



1056A 6" cap with 2" bung, EPDM
1056AV 6" cap with 2" bung, Viton
1035A 2" poly plug



1056B 2" vacuum vent, EPDM
1056V 2" vacuum vent, Viton



1040M 2" poly full port ball valve



1056AGE 6" EPDM gasket
1056GV 6" Viton gasket



1043 2" poly dust cap
1148 2" dustcap gasket, EPDM



1320B 2" vacuum/pressure relief vent, Viton



1081L 6" cap with 2" bung, EPDM
1035A 2" poly plug
1320B 2" vacuum pressure vent, Viton



1041 2" poly adapter, FML NPT x ML QC
1044 2" poly adapter, ML NPT x ML QC
1043 2" poly dustcap



1081VC 2" poly ball valve
1148 2" dust cap gasket EPDM
1531B 2" screw cap, NPT

UN/DOT CLOSURE REQUIREMENTS

Per 49 CFR 178.2(c)(1)(ii), the below listed closure and gasket information should be followed:

METAL 31A AND 31B CLOSURE DESCRIPTIONS

2" and 3" threaded fittings with all gasket materials except Teflon	3/8-1/2 rotations beyond full/solid gasket contact or minimum torque value of 30 ft-lbs
2" and 3" threaded fittings with Teflon gasket	1/8-3/16 rotations beyond full/solid gasket contact or minimum torque value of 60 ft-lbs
22" clamp ring with multi-seal gasket	Seat the ring by striking with non-sparking mallet such as a rubber mallet around the circumference of the ring. Tighten the 5/8" bolt and then restrike the ring with the mallet. Alternate between tightening and striking until the bolt tightening resistance does not change. <i>NOTE: The ring ends should be approximately 3/8" apart and must not meet</i>

ROTATIONALLY MOLDED 31H2 AND 31HA1 CLOSURE DESCRIPTIONS

6" cap, all gasket material	1/8 - 1/16 rotation beyond contact
2" NPS (NPT) threaded bung plugs, pressure/vacuum relief vents	3/8 - 1/2 rotation beyond contact
All bottom drain valves	<i>NOTE: Not to be screwed in until 0.5 - 3 threads remain visible.</i> The exterior compression clamp should be tightened until it cannot be rotated around the tabulation. A leak test per 49 CFR 178.813 is required after valve installation.

BLOWMOLDED 31HA1, 31HG1 AND 31HH1 CLOSURE DESCRIPTIONS

6" cap, all gasket material	Rotation beyond contact or torque to 55ft lbs.
2" NPS (NPT) threaded bung plugs, pressure/vacuum relief vents	3/8 - 1/2 rotation beyond contact or torque to 55ft lbs.
Valve nut	1/8 rotation beyond contact or torque to 55ft lbs.



iBC

WE BELIEVE IN BETTER SERVICE



**AGS-Industrial, Ph: +1-505-550-6501 & +1-505-565-5102, Fx: +1-505-814-5778
Email: sales@ags-industrial.com, Website: <http://www.ags-industrial.com>**