



AGS-Industrial, Ph: +1-505-550-6501 & +1-505-565-5102, Fx: +1-505-814-5778  
Email: sales@ags-industrial.com, Website: <http://www.ags-industrial.com>

## **NCH series electric chain hoists**

Lifting capacity: 150Kg-10,000Kg





With advanced equipment, mature technology, and improved management, our cranes factory is located in Economic Development Zone, Wujiang, Suzhou, covering an area of about 25,000 square meters, with beautiful scenery and convenient transportation. The Company has passed the certification of TUV ISO9001 quality management system and ISO14001 environmental management system, and the main products have passed the European Union CE certification. Perfect quality assurance system, standardized management system, strong production capacity and advanced detection means, and strong market competitiveness with guaranteed high-quality products.



## NCH series electric chain hoists



### Product advantages:

- Brand new simple design
- Fully enclosed body
- New die-cast aluminum shell
- Self-weight of equipment is light
- Efficient motor, efficient transmission
- Maintenance-free design
- Easy operation, portable and practical
- Promote service life
- Safe and reliable, can improve operation efficiency

***Innovation creates value  
and leads industrial development***



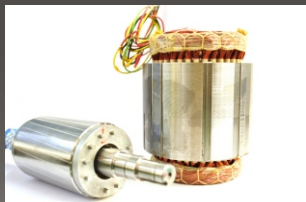
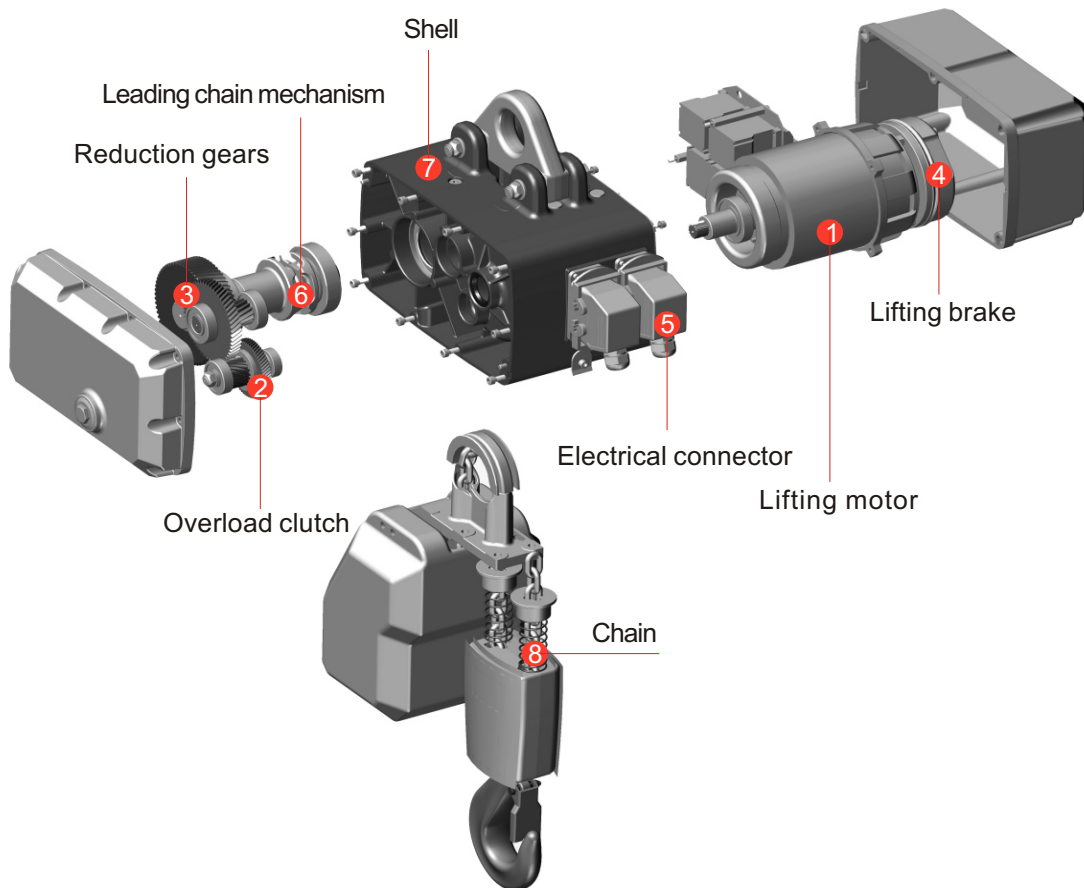
The modular design allows flexible combination of our products, quickly meets customers' requirements and individual design, and makes maintenance much easier. NCH electric chain hoists can collocate with manual or electric trolley, which can be installed on a flexible girder, monorail crane, cantilever crane or bridge crane, and frequency-controlled electric trolley combines high lifting speed, which can provide a flexible and efficient solution for your materials handling.

Standardized and humanized design can improve operating performance as well and can significantly reduce maintenance costs. The main parts of NCH electric chain hoist are adopted maintenance-free design, and no need to be replaced, but only routine maintenance, when used according to safety specifications.

Since NCH electric chain hoists were launched, it has been unanimously approved by the crane manufacturers and the end customers based on its excellent quality, good performance, most competitive prices, and it has rapidly become the first choice for customers to purchase light and medium load lifting handling equipment. The product inherits advanced design concepts of Germany, such as compact structure, reliable performance, durability, wide applications of NCH series electric chain hoist. NCH chain hoist is designed and manufactured in strict accordance with European FEM, EN and Germany DIN standard, and it meets ISO and China GB, JB and other standards.







### Lifting motor

Light weight and small volume of high-performance motor  
 Rotating speed can be up to 3000r.p.m  
 High starting torque and high energy efficiency  
 Sustained rate of electric connection reaches up to 60%, which can meet the demand for high-frequency handling  
 Protection grade IP55 and insulation grade F



### Overload clutch

Integrated in the drive gear shaft  
 Overload protection function can keep torque up to 1.4 times of safe load  
 Maintenance-free design, adjustable overload torque



### Reduction gears

Helical gear design, with high transmission efficiency and low noise  
 Hardened gear surface processing, heat treatment after gear grinding, Grade 7 precision of gears or even higher  
 Full oil bath lubrication, ultra low noise and long life  
 Perfect meshing and efficient transmission



### Lifting brake

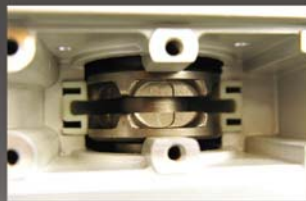
Helical gear design, with high transmission efficiency and low noise  
 Hardened gear surface processing, heat treatment after gear grinding, Grade 7 precision of gears or even higher  
 Full oil bath lubrication, ultra low noise and long life  
 Perfect meshing and efficient transmission

**Modular design, flexible combination,  
meeting the specific needs of customers**



**Electrical connector**

Connectors with aluminum standard prevent misconnection and bobble  
10-core connector can make it easier for control and power supply  
Plug and play, convenient and efficient



**Leading chain mechanism**

Leading chain wheel with five sockets design, and surface hardening treatment  
Smoother and quieter leading chain  
It can meet the harsh working environment



**Shell**

Die-casting high-strength alloy is integrally molded, with corrosion resistance and good sealing  
Special suspension design, to avoid box from load force  
Engineering plastic of motor casing  
Light overall weight, good heat dissipation



**Chain**

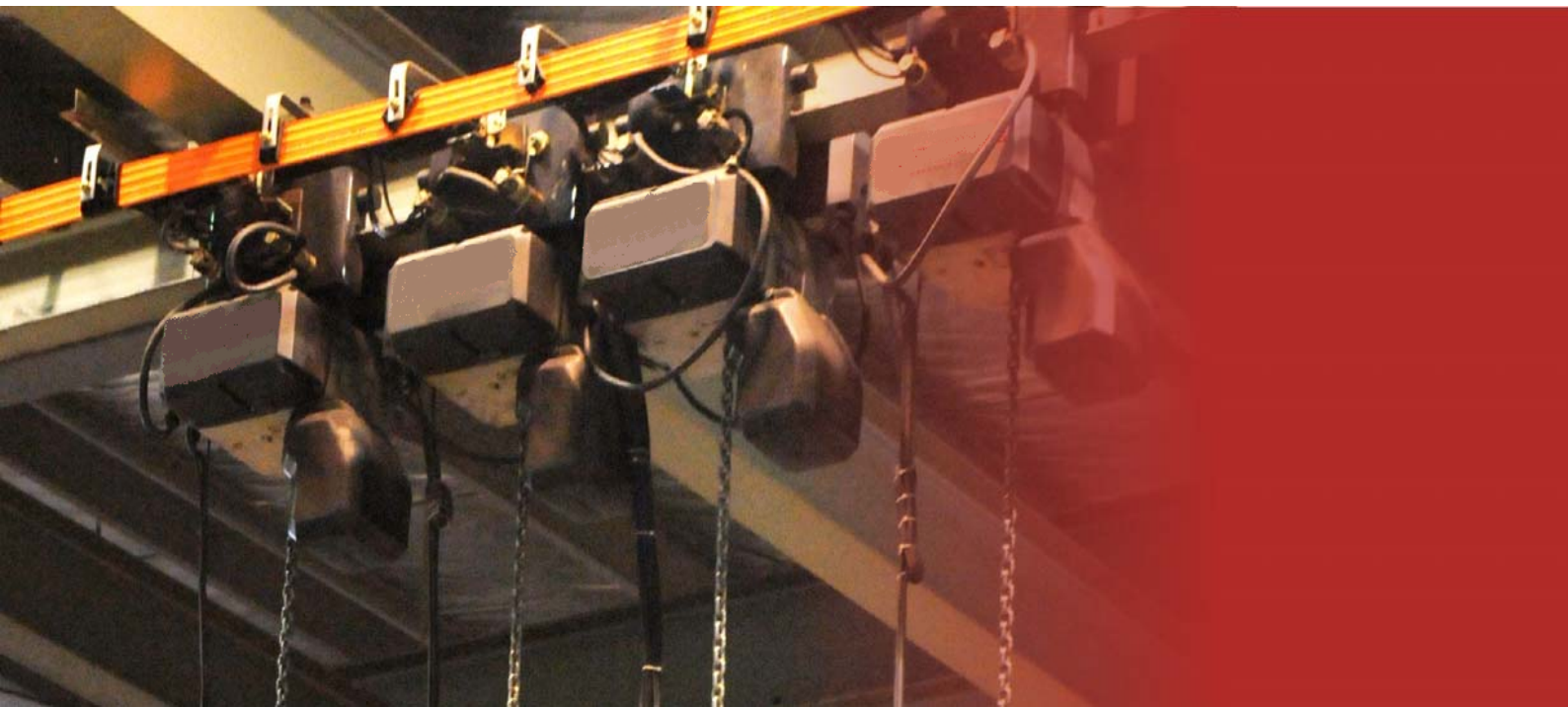
Carburizing chain of special high-strength alloy steel  
Surface with galvanization treatment  
Abrasion-resistant and corrosion-resistant  
High safety factor

## Selection table of NCH series electric chain hoists

Load capacity (Kg)	FEM	ISO	Hoist type	Power (KW)	Speed (M/min)	NO.of falla
250	3m	M6	NCH1051 02504	0.19	4/1.3	1
250	3m	M6	NCH1051 02508	0.38	8/2	1
250	2m	M5	NCH1051 02512	0.6	12.5/3.1	1
320	2m	M5	NCH1051 03208	0.49	8/2	1
320	1Am	M4	NCH1051 03212	0.77	12.5/3.1	1
500	3m	M6	NCH2071 05005	0.48	5/1.6	1
500	1Am	M4	NCH1051 05008	0.77	8/2	1
500	3m	M6	NCH2071 05008	0.77	8/2	1
500	2m	M5	NCH2051 05016	1.53	16/4	1
630	1Am	M4	NCH1052 05006	0.76	6.3/1.6	2
630	2m	M5	NCH2071 06308	0.97	8/2	1
630	1Am	M4	NCH2051 06316	1.93	16/4	1
1000	1Am	M4	NCH1052 10004	0.77	4/1	2
1000	2m	M5	NCH2071 10005	0.96	5/1.6	1
1000	1Am	M4	NCH2071 10008	1.53	8/2	1
1000	2m	M5	NCH5091 10016	3.07	16/4	1
1600	2m	M5	NCH2072 16004	1.23	4/1	2
1600	2m	M5	NCH5091 16008	2.45	8/2.6	1
2000	1Am	M4	NCH2072 20004	1.53	4/1	2
2000	1Am	M4	NCH5111 20008	3.07	8/2	1
2000	2m	M5	NCH5111 20006	2.41	6.3/1.6	1
2500	2m	M5	NCH5092 25004	1.92	4/1.3	2
2500	1Am	M4	NCH5111 25006	3.02	6.3/1.6	1
3200	1Am	M4	NCH5092 32004	2.45	4/1.3	2
3200	2m	M5	NCH5112 32003	1.96	3.2/0.75	2
4000	1Am	M4	NCH5112 40004	3.07	4/1	2
4000	2m	M5	NCH5112 40003	2.45	3.2/0.75	2
5000	1Am	M4	NCH5112 50003	3.07	3.2/0.75	2

For more options , please contact AGS-Industrial

**Complete product lines,  
catering for different requirements of clients**



➤ F-type Fixed Electric Chain Hoist



➤ P-type Fixed Electric Chain Hoist



➤ M / E -type Fixed Electric Chain Hoist

**Standard configuration of NCH series electric chain hoist:**

- 1、 Double-speed lifting / 2、 Dismountable lifting ears / 3、 Chain of lifting height of 3 meters / 4、 FEM work hierarchy of 1Bm / 2m / 5、 380V/48V/50Hz lifting electronic control system / 6、 Controllable hand switch with quick coupling / 7、 Upper and lower limit switches / 8、 Black plastic chain case / 9、 Safety brake / 10、 Friction clutch



## NATEX Explosion-Proof Electric Hoist

AGS-Cranes provides a whole series of explosion-proof and spark-proof electric hoist products. Combining customers' requirements with the latest explosion proof safety standards, our products are widely used in food, chemical and petroleum, natural gas industries and any other production environments exposed to explosion risks

AGS-Cranes NATEX Explosion-proof Electric Hoists are manufactured on the basis of the latest European standards ATEX100a (94/09/CE) and various CE standards, satisfying the latest standards for explosion-proof products. We can provide products suitable for 1 and 2 gas areas and 21 and 22 dust zones as required by customers.



## Product Benefits

- Perfect choice of light to medium duty, capacity 125-5000kg
- Manual trolley or motorized trolley
- Standard hazardous area: II Zone, EEx de IIBT4.
- According to EN/DIN standard, lifting height:3m
- 2-speed for hoisting (XCC standard: 2-speed)
- 2-speed for traversing (XCC standard: 2-speed)
- IP55 hoisting motor
- Galvanized load chain
- Chain drive trolley. Stainless steel for hand chain
- Push button pendant+ control cable 2.5m
- 4 button pendant, motorized trolley
- power: 400V/3Ph/50Hz, or 415V/3Ph/50Hz
- 48 low voltage control power
- Safety clutch
- Chain collector box.

➤ NATEX Explosion-Proof Electric Hoist

***EU standard, wide range of applications,  
safe and reliable***



➤ Gear type trolley



➤ Manual chain hoist



➤ Lever hoist

## Work Station cranes - Jib Cranes

AGS-Cranes offers full series of jib cranes with various specifications.No matter what special requirements you have in terms of lifting capacity, rotation angle, boom length and special functions, we are able to provide best handling solution for you. Jib cranes with lifting capacity from 80Kg to 10000Kg are widely used for material handling in workshops, especially in some small operating areas. This kind of crane can greatly shorten the handling time and improve the efficiency.

According to different work areas and rotation areas, jib cranes can be rotated by 180 degrees, 270 degrees, or 360 degrees. According to different modes of installation and structures, jib cranes can be categorized as wall mounted jib cranes, and pedestal jib cranes. According to different ways of rotation, jib cranes can be also divided into manual jib cranes and electric jib cranes.





## ***Simple installation precise positioning, easy manipulation***



### **Product Benefits**

#### **Simple installation**

Wall-mounted jib cranes can be simply mounted onto the walls without using any ground space. Pedestal mounted jib cranes only need a small space for the installation of the pedestal, which can be fastened by cast-in anchor bolts or heavy-duty anchor bolts. If required, we can also provide anchor bolts and templates.

#### **High quality with good price**

All our spare parts are produced in series, guaranteeing high standardization, reliable quality and stable performance. Through our professional consultancy and design, we are confident to provide you with the best solutions and service.

#### **Precise positioning, easy manipulation**

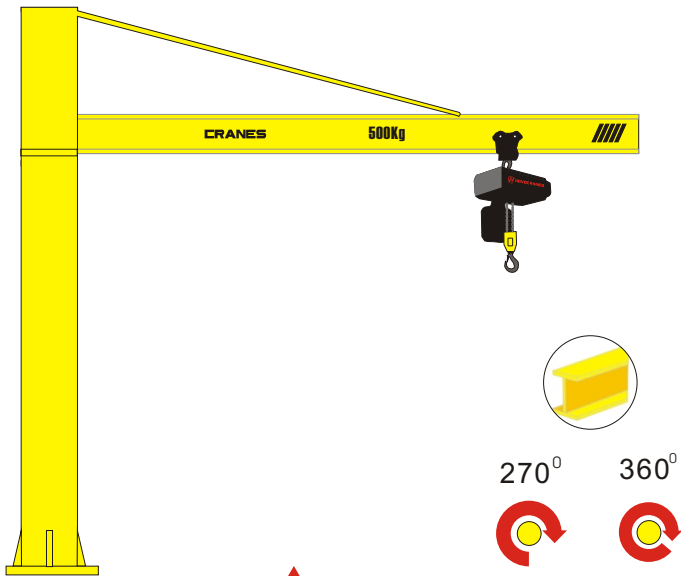
AGS-Cranes' Jib Crane provides VL electric chain hoist and VT electric wire rope hoist as optional lifting equipment. No matter which hoist you choose, AGS-Cranes' will meet your requirements and ensure easy operation and precise positioning. All the cranes are designed on the basis of ergonomics. Keeping customer operation and requirements in mind, we deliver the best cranes for our customers.

#### **Shorten handling time, improve work efficiency**

Installing a jib crane in a station, the worker of the station can lift and transport all kinds of equipment and work pieces at any time, which greatly saves non-productive time, improves work efficiency and reduces labor intensity. Just a small investment can generate big return. If you want to handle the work pieces in a small area, you can consider employing jib cranes for handling. If workers of a workshop need to transport work pieces frequently and the handling equipment are often used by several workers at the same time, you may consider installing a set of jib crane on each work station. In such a case, you can save the investment of travelling bridges and significantly improve the overall work efficiency.

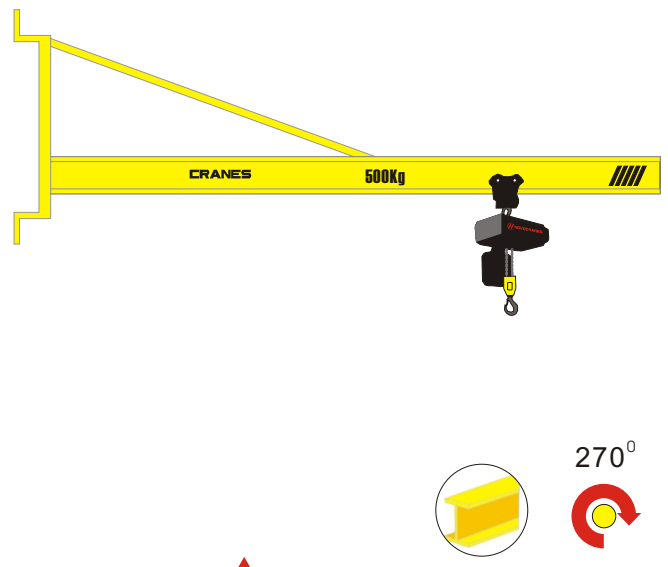


### AGS-Cranes NCJ jib crane



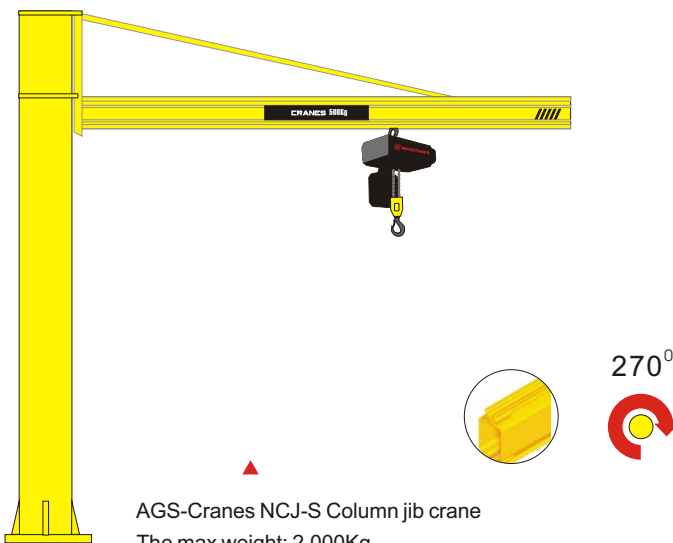
AGS-Cranes NCJ Column jib crane  
The max weight: 10,000Kg  
Rotary Way: Manually or Motorized

### AGS-Cranes NWJ jib crane



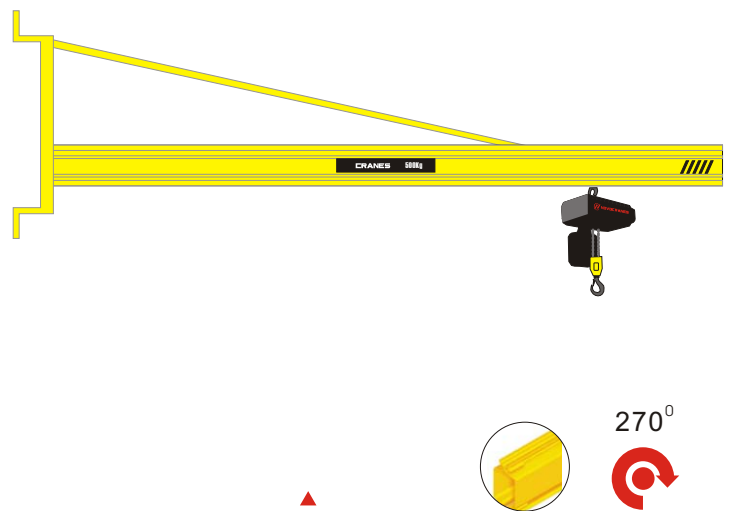
AGS-Cranes NWJ Wall mounted jib crane  
The max weight: 5,000Kg  
Rotary Way: Manually or Motorized

### AGS-Cranes NCJ-S jib crane



AGS-Cranes NCJ-S Column jib crane  
The max weight: 2,000Kg  
Rotary Way: Manually or Motorized

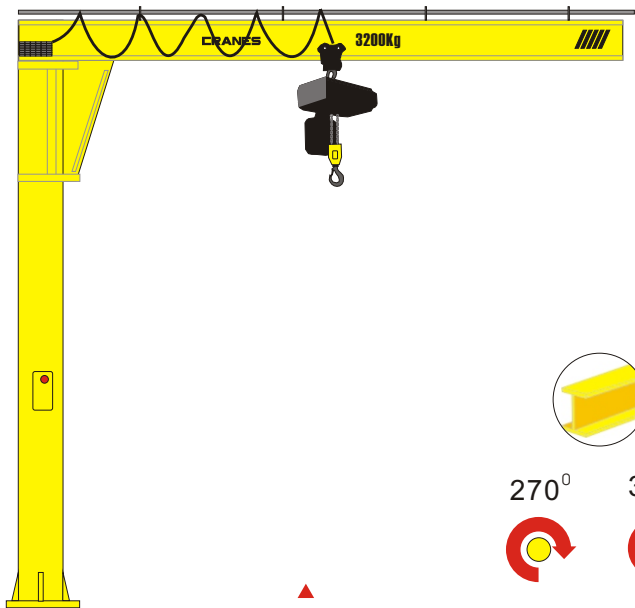
### AGS-Cranes NWJ-S jib crane



AGS-Cranes NWJ-S Wall mounted jib crane  
The max weight: 2,000Kg  
Rotary Way: Manually or Motorized

For more options, please contact AGS-Industrial

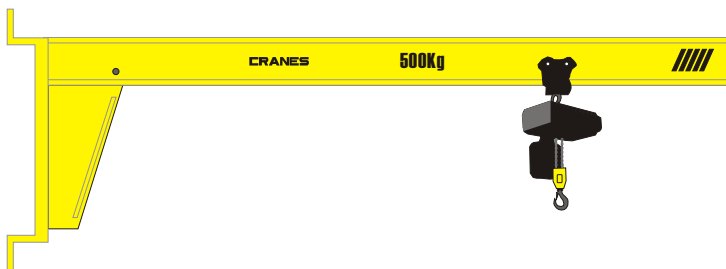
AGS-Cranes NCJ-D jib crane



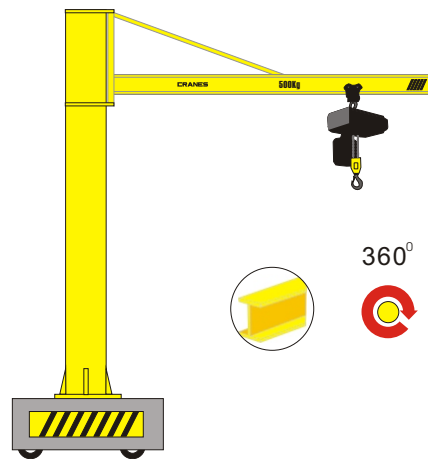
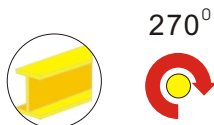
AGS-Cranes NCJ-D Column jib crane  
The max weight: 10,000Kg  
Rotary Way: Manually or Motorized



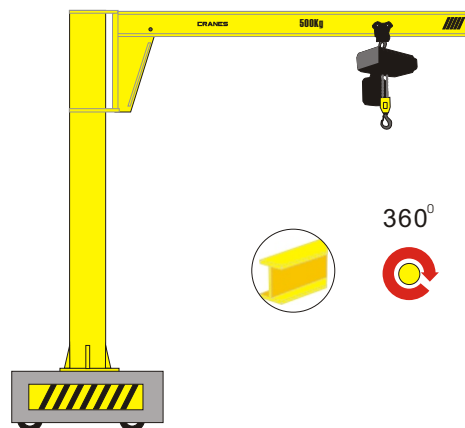
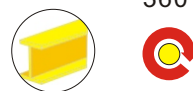
AGS-Cranes NCJ-D jib crane



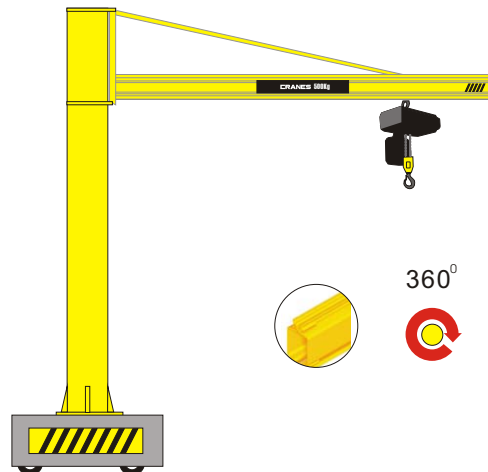
AGS-Cranes NCJ-D Column jib crane  
The max weight: 5,000Kg  
Rotary Way: Manually or Motorized



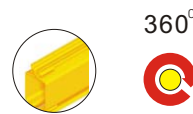
AGS-Cranes NMJ Mobile jib crane  
The max weight: 2,000Kg



AGS-Cranes NMJ-D Mobile jib crane  
The max weight: 2,000Kg



AGS-Cranes NMJ-S Mobile jib crane  
The max weight: 2,000Kg



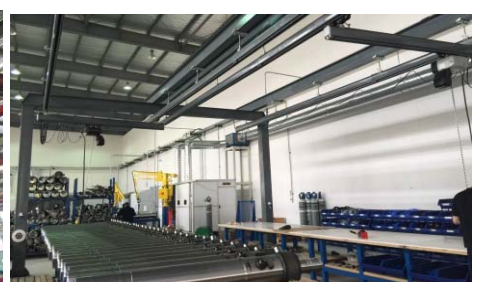
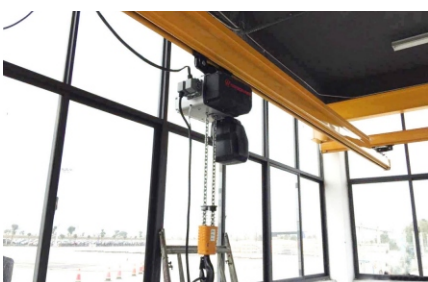
## Work Station Cranes - Light Girder Suspension Crane

Light Girder Suspension Crane can work in various enterprises of different types and scales for overhead handling of all kinds of materials. This kind of crane is especially suitable for workshops of low ceilings or light duty plants or grounds which are not suitable for bridge cranes. Light Girder Suspension Crane adopts modular design. All components are made as standard components which can be assembled as building blocks into a new crane. The installation is simple and the crane can be rebuilt again in accordance with the modification of the workshops or the changes of processing technologies.

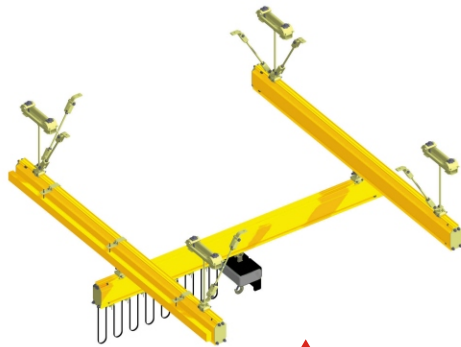
Light Girder Suspension Crane itself is very light. The friction between the pulley and the rail is very small that operators can easily move the transported articles by hand. Thus heavy work pieces can be rapidly transported by this kind of crane. The system also provides AGS-Cranes hoisting machinery electric chain hoist, hoist travelling drive devices, control devices of electrical equipment and relevant supportive systems and ensures long service life of the system and avoids failure and maintenance.

The rails of the Light Girder Suspension Crane are prepared in 3 models in accordance with different lifting capacity and distances between the hoisting points: NKA30, NKA40 and UBK II. These standard components are made of cold rolled special shaped materials.

Light Girder Suspension Crane provides varied modes of hoisting points at your choice for different conditions of the customers' workshops.



**Modular design and free-of-maintenance concept renders best material handling solutions for customer**



Single-girder light crane



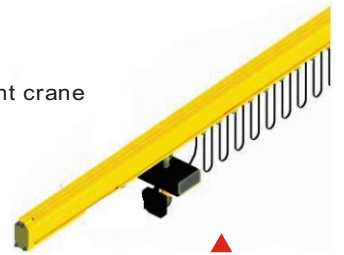
Double-girder light crane



Monorail tracks light crane



Single-girder articulated crane



Monorail crane



Double-girder articulated crane



Articulated monorail crane



## Service Solutions

AGS-Cranes Product&Service Center has enthusiastic professional and powerful technical support and service teams with countrywide network, rich experience of on-site working and secure and efficient supply of spare parts. In compliance with the requirements of quality management system and national safety specifications, we implement "safe, professional, efficient" standardized services, and provide every customer with complete material handling and equipment service solution, unceasingly creating value for customers.

### Emergency Repair:

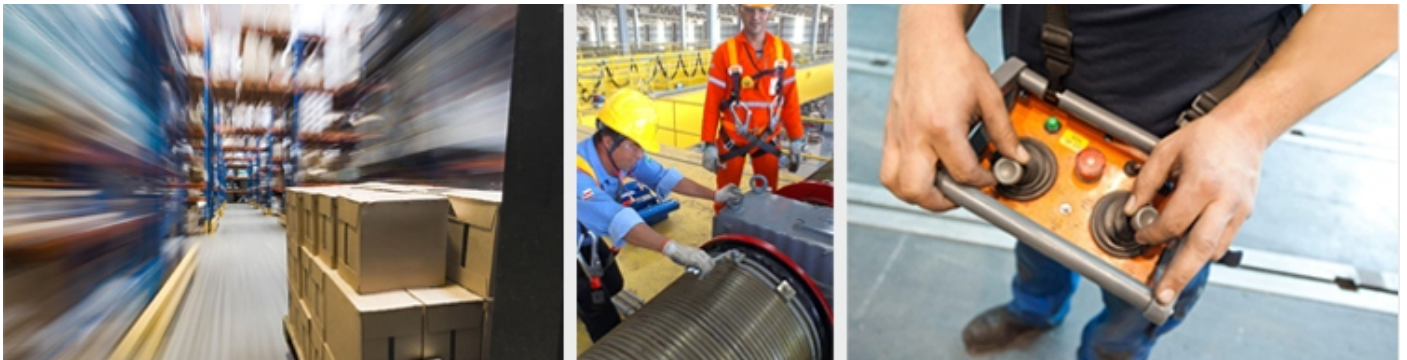
Cranes are important elements in the process of production, logistical distribution and transportation. In case of crane failure, there will be huge downtime cost, or even serious impact on production and delivery times. When your crane fails, please contact our service center. Our service vehicles equipped with professional repair tools and service personnel will provide you with timely service to complete your maintenance tasks as soon as possible. Worry about what customers worry about, and think about what customers think about. AGS-Cranes has now established a sound national service network. Our service engineers distributed in major cities will respond at the first time when customers need help or support and the nearest service engineers will be assigned to the customer's site for handling problems.

### Spare Parts:

The spare parts manufactured by AGS-Cranes can ensure the safety and reliability of production application. In addition, our spare parts warehouse established in our factory can satisfy the demand of our customers in a timely manner.

### Repair and Maintenance:

We find that in most cases, equipment users only seek urgent repairs at time of equipment failure, or even breakdown, resulting in significant downtime costs, or even serious influence on the production and delivery time. Through preventive maintenance, we can make the equipment return to normal condition, minimize the failure rate, reduce loss from sudden failure and downtime, thereby reduce cost, extend equipment life, and improve equipment utilization. For most industries, preventive maintenance is one of the best means to control operating costs to the maximum.



**High quality and high performance products  
facilitate enlarging client basis**



**BOSCH**

**SIEMENS**



**KARL MAYER**



**RIECKERMANN**  
MACHINERY • INDUSTRIAL EQUIPMENT



**WEIDMANN**



**IVECO**



**ABB**



**EJOT**



**GREIF**



**一汽-大众**  
FAW-VOLKSWAGEN



**SOCHI舒驰**



**We are committed to providing industry cutting- edge products and technology.**

**The performance and quality is the footstone of our success,  
We will continue providing high-quality products and services to domestic and global customers.**



AGS-Industrial retains the right to change the product designs and specifications at any time. Prior to purchasing and shipment, please make sure to get latest information.



AGS-Industrial, Ph: +1-505-550-6501 & +1-505-565-5102, Fx: +1-505-814-5778  
Email: [sales@ags-industrial.com](mailto:sales@ags-industrial.com), Website: <http://www.ags-industrial.com>

Reference Code: NOVOOICSCRANE