



EYE BOLT & NUT 吊环



EYE BOLT&NUT

Eye Screw DIN 580 德标DIN580吊环螺栓

FINISH: BRIGHT OR GALVANIZED



Size(mm)	WLL(t)	Weight 100pcs (lbs)	Dimensions(mm)						
			d1	d2	d3	b	e	h	k
M6	0.14	11	17	28	16	13	6	17	6
M8	0.14	13	20	36	20	15	6	18	8
M10	0.23	24	25	45	25	18	8	22	10
M12	0.34	40	30	54	30	22	10	26	12
M14	0.49	63	35	63	35	28	12	30	14
M16	0.7	62	35	63	35	28	12	30	14
M20	1.2	99	40	72	40	30	12	35	16
M22	1.5	148	45	81	45	35	14	40	18
M24	1.8	192	50	90	50	38	16	45	20
M27	2.5	194	50	90	50	38	18	45	20
M30	3.6	366	65	108	60	45	18	55	24
M33	4.3	380	65	108	60	45	22	55	24
M36	5.1	585	75	126	70	55	22	65	28
M39	6.1	618	75	126	70	55	26	65	28
M42	7	889	85	144	80	65	30	75	32
M45	8	938	85	144	80	65	30	75	32
M48	8.6	1408	100	166	90	70	35	85	38
M52	9.9	1456	100	166	90	70	35	85	38
M56	11.5	1942	110	184	100	80	38	95	42
M64	16	2736	120	206	110	90	42	100	48

Ring-Nut DIN 582 德标DIN582吊环螺母

FINISH: BRIGHT OR GALVANIZED



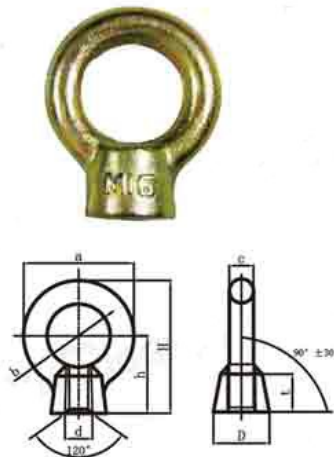
Size (mm)	WLL (t)	Weight 100pcs(lbs)	Dimensions(mm)					
			d1	d2	d3	e	h	k
M6	0.14	11	20	36	20	8.5	18	8
M8	0.14	11	20	36	20	8.5	18	8
M10	0.23	20	25	45	25	10	22	10
M12	0.34	35	30	54	30	11	26	12
M16	0.7	53	35	63	35	13	30	14
M20	1.2	79	40	72	40	16	35	16
M22	1.5	128	45	81	45	18	40	18
M24	1.8	159	50	90	50	20	45	20
M27	2.5	154	50	90	50	20	45	20
M30	3.6	291	65	108	60	25	55	24
M33	4.3	287	65	108	60	25	55	24
M36	5.1	459	75	126	70	30	65	28
M39	6.1	446	75	126	70	30	65	28
M42	7	686	85	144	80	35	75	32
M45	8	671	85	144	80	35	75	32
M48	8.6	1108	100	166	90	40	85	38
M52	9.9	1092	100	166	90	40	85	38
M56	11.5	1476	110	184	100	45	95	42
M64	16	2052	120	206	110	50	105	48

Eye Screw JIS 1168 日式1168吊环螺栓



Size (mm)	WLL (kn)	Dimensions(mm)							
		a	b	c	d	t	h	H	I
M8	0.785	32.6	20	6.3	16	5	17	33.3	15
M10	1.47	41	25	8	20	7	21	41.5	18
M12	2.16	50	30	10	25	9	26	51	22
M16	4.41	60	35	12.5	30	11	30	60	27
M20	6.18	72	40	16	30	13	35	71	30
M24	9.32	90	50	20	45	18	45	90	38
M30	14.7	110	60	25	60	22	55	110	45
M36	22.6	133	70	31.5	70	26	65	131.5	55

Ring-Nut JIS 1169 日式1169吊环螺母



Size(mm)	WLL (kn)	Dimensions(mm)							
		a	b	c	d	t	h	H	r
M8	0.785	32.6	20	6.3	16	12	23	39.3	8
M10	1.47	41	25	8	20	15	28	48.5	10
M12	2.16	50	30	10	25	19	36	61	12
M16	4.41	60	35	12.5	30	23	42	72	14
M20	6.18	72	40	16	35	28	50	86	16
M24	9.32	90	50	20	45	38	66	111	25
M30	14.7	110	60	25	60	46	80	135	30
M36	22.6	133	70	31.5	70	55	95	161.5	35

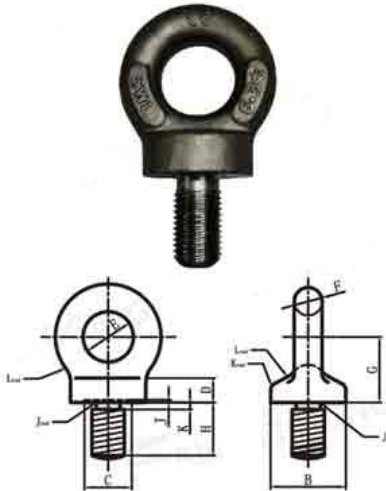
Metric Dynamo Eye Bolts BS 4278 TABLE3 英制吊环BS-3



Size(mm)	WLL(t)	Dimensions (mm)							
		B	C	D	E	F	G	H	K
12	0.32	17	14	5	22	9	27	18	3
16	0.63	23	18	6	29	11	34	23	3
20	1.25	32	25	9	40	15	47	32	5
24	2	40	32	12	51	19	60	40	6

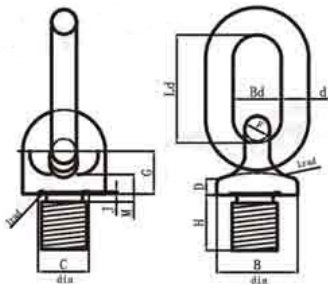
EYE BOLT&NUT

Collar Eye Bolts to BS 4278 英制吊环BS-1



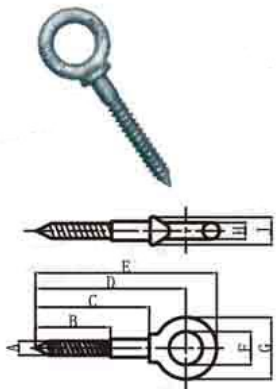
Size (mm)	WLL(t)	Dimensions (mm)									
		B	C	D	E	F	G	H	J	K	L
M12	0.4	22	15	7	15	9	20	18	1	3	9
M16	0.8	29	20	10	20	12	26	23	1	3	12
M18	1	36	24	12	24	14	32	28	1	4	14
M20	1.6	40	27	14	27	16	36	32	1	5	16
M22	1.6	45	30	15	30	18	40	35	1	5	18
M24	2.5	52	35	17	35	21	46	40	2	6	21
M27	2.5	58	39	20	39	23	52	46	2	7	23
M30	4	65	44	22	44	26	58	51	2	7	26
M33	4	72	48	24	48	29	64	56	3	8	29
M36	6.3	81	54	27	54	32	72	63	3	9	32
M39	6.3	90	60	30	60	36	80	70	3	10	36
M45	8	101	68	34	68	40	90	79	3	11	40
M52	12.5	115	76	38	76	46	102	89	3	13	46
M56	16	128	86	43	86	51	114	100	4	14	51
M64	20	144	96	48	96	58	128	112	4	16	58
M70	20	162	108	54	108	65	144	126	4	18	65
M76	25	180	120	60	120	72	160	140	4	20	72

Eye Bolts With Links To BS 4278 TABLE 2 英制吊环BS-2



Sate Working Load (t)	Metric Thread (mm)	Basic Unit of Measure A (mm)	Recom- mended Forged Diameter of Shank (mm)	Dimensions(mm)										Link			
				B	C	D	E	F	G	H	J	K	L	M	d	Bd	Ld
0.8	20	15	24	39	24	9	15	12	20	27	1	4	14	12	13	24	53
1.25	24	18	28	47	29	11	18	14	23	32	1	5	16	14	15	29	63
2	30	23	34	60	37	14	23	18	30	41	2	6	21	18	19	37	80
3.2	36	29	41	75	46	17	29	23	38	52	2	7	26	23	24	46	102
5	45	36	47	94	58	22	36	29	47	65	3	9	32	29	30	58	126

Screw Eye Bolts G-275 美标吊环螺丝G-275



Forged Steel-Quenched and Tempered.
Hot Dipped Galvanized.

Size (in)	Weight 100pcs (lbs)	Dimensions (in)									
		A	B	C	D	E	F	G	H	J	
1/4×2	4.25	0.25	1.5	2	2.5	2.94	0.5	0.88	0.19	0.47	
5/16×2-1/4	6.25	0.31	1.69	2.25	2.94	3.5	0.63	1.13	0.25	0.56	
3/8×2-1/2	18.75	0.38	1.88	2.5	3.28	3.97	0.75	1.38	0.31	0.66	
1/2×3-1/4	37.5	0.5	2.44	3.25	4.25	5.12	1	1.75	0.38	0.91	
5/8×4	68.75	0.63	3	4	5.31	6.44	1.25	2.25	0.5	1.12	

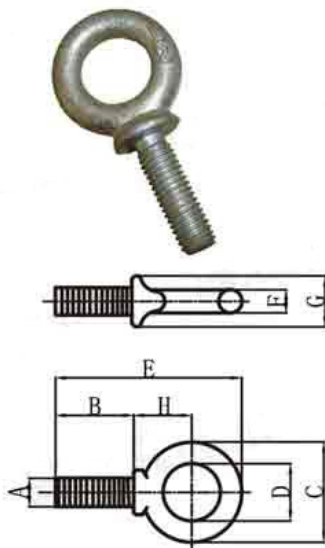
Shoulder Nut Eye Bolts G-277 美标吊环螺丝G-277



Forged Steel.
Hot Dip Galvanized.

Size (in)	WLL(lbs)	Weight 100pcs (lbs)	Dimensions (in)								
			A	B	C	D	E	F	G	H	J
1/4 x 2	500	6.61	0.25	0.5	0.88	0.19	1.5	2	2.94	0.5	0.47
1/4 x 4	500	9.61	0.25	0.5	0.88	0.19	2.5	4	4.94	0.5	0.47
5/16 x 2 1/4	800	12.5	0.31	0.62	1.12	0.25	1.5	2.25	3.5	0.69	0.56
5/16 x 4 1/4	800	18.75	0.31	0.62	1.12	0.25	2.5	4.25	5.5	0.69	0.56
3/8 x 2 1/2	1200	19	0.38	0.75	1.38	0.31	1.5	2.5	3.97	0.78	0.66
3/8 x 4 1/2	1200	31.58	0.38	0.75	1.38	0.31	2.5	4.5	5.97	0.78	0.66
1/2 x 3 1/4	2200	37.5	0.5	1	1.75	0.38	1.5	3.25	5.12	1	0.91
1/2 x 6	2200	56.25	0.5	1	1.75	0.38	3	6	7.88	1	0.91
5/8 x 4	3500	75	0.62	1.25	2.25	0.5	2	4	6.44	1.31	1.12
5/8 x 6	3500	100.25	0.62	1.25	2.25	0.5	3	6	8.44	1.31	1.12
3/4 x 4 1/2	5200	125	0.75	1.5	2.75	0.62	2	4.5	7.44	1.56	1.38
3/4 x 6	5200	150	0.75	1.5	2.75	0.62	3	6	8.94	1.56	1.38
7/8 x 5	7200	225	0.88	1.75	3.25	0.75	2.5	5	8.47	1.84	1.56
1 x 6	10000	375	1	2	3.75	0.88	3	6	9.97	2.09	1.81
1 x 9	10000	429	1	2	3.75	0.88	4	9	13	2.09	1.81
1 1/4 x 8	15200	650	1.25	2.5	4.5	1	4	8	12.7	2.47	2.28
1 1/4 x 12	15200	775	1.25	2.5	4.5	1	4	12	16.7	2.47	2.28
1 1/2 x 15	21400	1425	1.5	3	5.5	1.25	6	15	20.8	3	2.75

Shoulder Type Machinery Eye Bolts G-279 吊环螺丝G-279

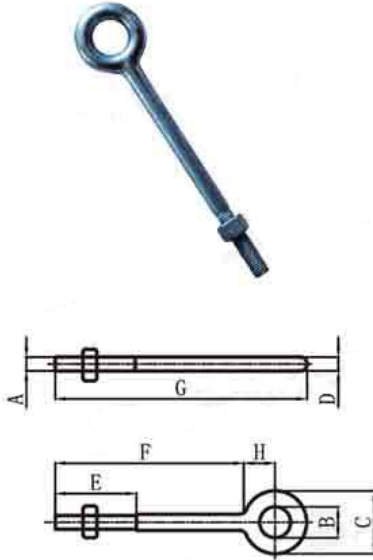


Forged Steel.
Quenched and Tempered.

Size	WLL(lbs)	Weight 100pcs(lbs)	Dimensions (in)							
			A	B	C	D	E	F	G	H
1/4*1	500	3.2	0.25	1	0.88	0.5	1.94	0.19	0.47	0.5
5/16*1-1/8	900	6.2	0.31	1.13	1.12	0.62	2.38	0.25	0.56	0.69
1/8*1-1/4	1400	12.5	0.38	1.25	1.38	0.75	2.72	0.31	0.66	0.78
1/2*1-1/2	2600	25	0.5	1.5	1.75	1	3.38	0.38	0.91	1
5/8*1-3/4	4000	50	0.63	1.75	2.25	1.25	4.19	0.5	1.12	1.31
3/4*2	6000	87.5	0.75	2	2.75	1.5	4.94	0.62	1.38	1.56
7/8*2-1/4	7200	150	0.88	2.25	3.25	1.75	5.72	0.75	1.56	1.84
1*2-1/2	1000	218	1	2.5	3.75	2	6.47	0.88	1.81	2.09
1-1/4*3	15200	380	1.25	3	4.5	2.5	7.72	1	2.28	2.47
1-1/2*3-1/2	21400	700	1.5	3.5	5.5	3	9.25	1.25	2.75	3

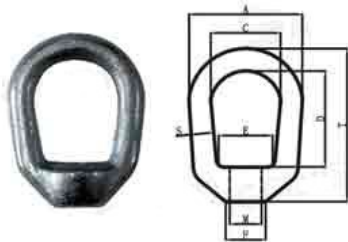
EYE BOLT&NUT

Regular Nut Eye Bolts G-291 美标吊环螺丝G-291



Size (in)	WLL (lbs)	Weight 100pcs (lbs)	Dimensions (in)							
			A	B	C	D	E	F	G	H
1/4*2	650	8.2	0.25	0.5	1	0.25	1.5	2	3.06	0.56
1/4*4	650	11.7	0.25	0.5	1	0.25	2.5	4	5.06	0.56
5/16*2 1/4	1200	13.3	0.31	0.62	1.25	0.31	1.5	2.25	3.56	0.69
5/16*4 1/4	1200	25	0.31	0.62	1.25	0.31	2.5	4.25	5.56	0.69
3/8*2 1/2	1550	23.3	0.38	0.75	1.5	0.38	1.5	2.5	4.12	0.88
3/8*4 1/2	1550	29.5	0.38	0.75	1.5	0.38	2.5	4.5	6.12	0.88
3/8*6	1550	35.2	0.38	0.75	1.5	0.38	2.5	6	7.62	0.88
1/2*3 1/4	2600	50.3	0.5	1	2	0.5	1.5	3.25	5.38	1.12
1/2*6	2600	66.1	0.5	1	2	0.5	3	6	8.12	1.12
1/2*8	2600	82	0.5	1	2	0.5	3	8	10.12	1.12
1/2*10	2600	88	0.5	1	2	0.5	3	10	12.12	1.12
1/2*12	2600	114.2	0.5	1	2	0.5	3	12	14.12	1.12
5/8*4	5200	103.1	0.62	1.25	2.5	0.62	2	4	6.69	1.44
5/8*6	5200	118.2	0.62	1.25	2.5	0.62	3	6	8.69	1.44
5/8*8	5200	135.1	0.62	1.25	2.5	0.62	3	8	10.69	1.44
5/8*10	5200	153.6	0.62	1.25	2.5	0.62	3	10	12.69	1.44
5/8*12	5200	167.1	0.62	1.25	2.5	0.62	4	12	14.69	1.44
3/4*4 1/2	7200	168.6	0.75	1.5	3	0.75	2	4.5	7.69	1.69
3/4*6	7200	184.5	0.75	1.5	3	0.75	3	6	9.19	1.69
3/4*8	7200	207.9	0.75	1.5	3	0.75	3	8	11.19	1.69
3/4*10	7200	235	0.75	1.5	3	0.75	3	10	13.19	1.69
3/4*12	7200	257.5	0.75	1.5	3	0.75	4	12	15.19	1.69
3/4 * 15	7200	298	0.75	1.5	3	0.75	5	15	18.19	1.69
7/8 * 5	10600	270	0.88	1.75	3.5	0.88	2.5	5	8.75	2
7/8 * 8	10600	308	0.88	1.75	3.5	0.88	4	8	11.75	2
7/8 *12	10600	400	0.88	1.75	3.5	0.88	4	12	15.75	2
1 * 6	13300	421	1	2	4	1	3	6	10.31	2.31
1*9	13300	468.5	1	2	4	1	4	9	13.31	2.31
1 *12	13300	540	1	2	4	1	4	12	16.31	2.31
1*18	13300	650	1	2	4	1	7	18	22.31	2.31
1 1/4 * 8	21000	750	1.25	2.5	5	1.25	4	8	13.38	2.88
1 1/4*12	21000	900	1.25	2.5	5	1.25	4	12	17.38	2.88

Eye Nuts G-400 吊环G-400



Size (in)	WLL (lbs)	Dimensions(in)							Weight (lbs)
		A	C	D	E	F	S	T	
1/4	520	1 1/4	3/4	1 1/16	21/32	1/2	1/4	1 11/16	0.09
5/16	850	1 1/4	3/4	1 1/16	21/32	1/2	1/4	1 11/16	0.09
3/8	1250	1 5/8	1	1 1/4	3/4	9/16	5/16	2 1/16	0.18
7/16	1700	2	1 1/4	1 1/2	1	13/16	3/8	2 1/2	0.29
1/2	2250	2	1 1/4	1 1/2	1	13/16	3/8	2 1/2	0.29
5/8	3600	2 1/2	1 1/2	2	1 3/16	1	1/2	3 3/16	0.58
3/4	5200	3	1 3/4	2/8	1 3/8	1 1/8	5/8	3 7/8	1
7/8	7200	3 1/2	2	2 5/8	1 5/8	1 5/16	3/4	4 5/16	1.7
1	10000	4	2 1/4	3 1/16	1 7/8	1 9/16	7/8	5	2.75
1 1/8	12300	4	2 1/4	3 1/16	1 7/8	1 9/16	7/8	5	2.75
1 1/4	15500	4 1/2	2 1/2	3 1/2	1 15/16	1 7/8	1	5 3/4	3.85
1 3/8	18500	5	2 3/4	2 3/4	2	2	1 1/8	6 1/4	5
1 1/2	22500	5 5/8	3 1/8	4	2 3/8	2 1/4	1 1/4	6 3/4	6.7
2	40000	7	4	6 1/4	4	3 3/8	1 1/2	10	18.7