

Description

UTS2 temperature switch is an intelligent & digital temperature measurement and control product with functions of temperature measurement, display, output and control. UTS2 is made with complete electronic structure, Pt100 temperature probe is located at its front end, the output signal is processed by amplifier that has high precision and low temperature drift, then sent into high precision A/D converter, to be converted to digital signal for microprocessor, the signal after being processed will control two relay outputs, and realize the temperature measurement for system.

The use of UTS2 is very flexible. UTS2 is also very easy to operate and adjust. This product is widely used for liquid temperature measurement, display and control in electricity, water, petroleum, chemical, mechanical, hydraulic and other industries.



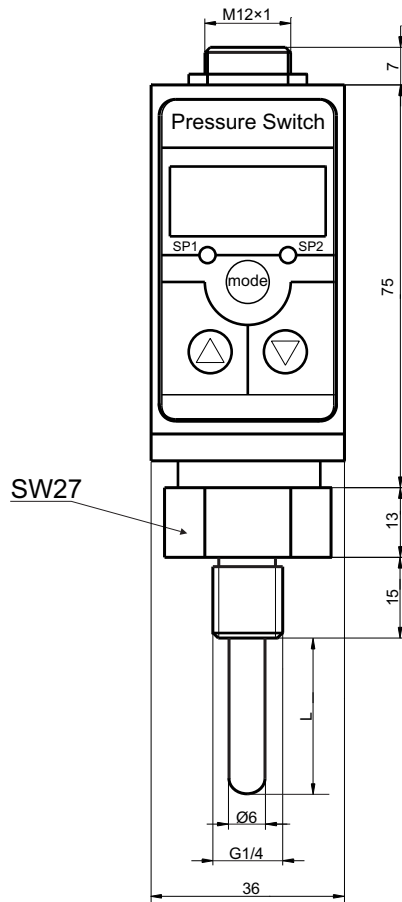
Features

- 4 digits to display temperature
- Present temperature switch point and relay switch output
- Switch can be set from zero to full scale
- The outer case is equipped with light emitting diode (LED), is easy for operation
- Operation is easy; the press key is for adjustment and parameters setting on the spot
- Two-way switch output, 1.2A loading capacity
- 4~20mA analog output (optional)

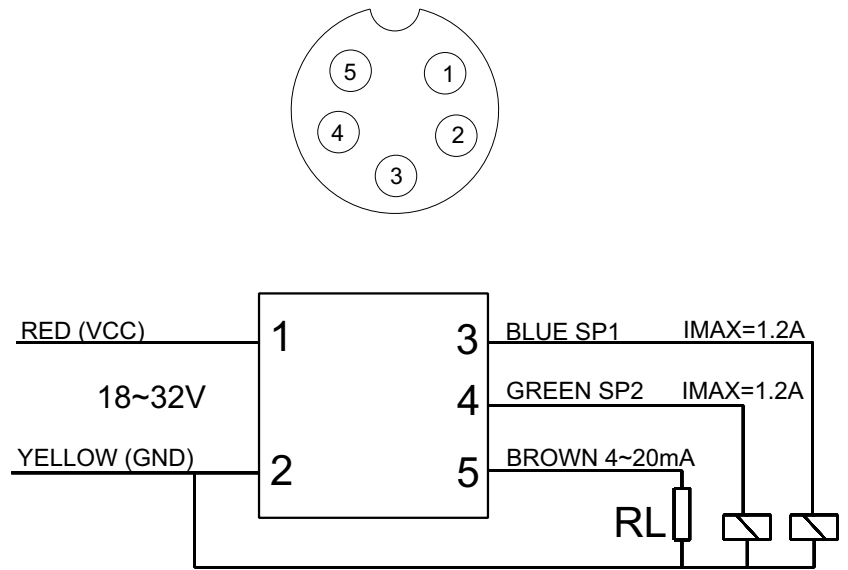
Specifications

measurement medium	gas or liquid compatible with stainless steel
temperature range	-50~+200
output signal	4~20mA(option)
control accuracy	0.5%FS(standard)
display accuracy	0.1%FS
long-term stability	<0.2%FS/year
supply voltage	18~32V DC
ambient temperature range	-30~+70°C
storage temperature range	-20~100°C
service life of switch	>1million times
power consumption	<3W
load capacity	<24V, 1. 2A
process connection	G1/4 or others
electrical connection	aviation connector or others
material of wet part	1Cr18Ni9Ti
relative humidity	0~80%
protection	IP65

Dimensions



Electrical connection



Ordering code

UTS2				
	range	measuring range: -50~+200°C		
	(X1~X2)°C	X1: the min. measuring temperature; X2: the max. measuring temperature.		
	code	process connection		
	P1	G1/4		
	P2	G1/2		
	P4	M20×1.5		
	Pz	customer request		
	code	electrical connection		
	E1	hirschmann connector		
	E2	aviation connector		
	E3	M12 connector		
	Ez	customer request		
				insert depth L(mm)
UTS2	(0~100)°C	P2	E3	50

*: The pressure set-point and switch state of the two-way pressure switch can be set at any range, suggesting to set the pressure within 10%~100%, so as to assure the working stability of control point.

** : NPN type and PNT type output control modes are two working patterns: normal open and normal close respectively.