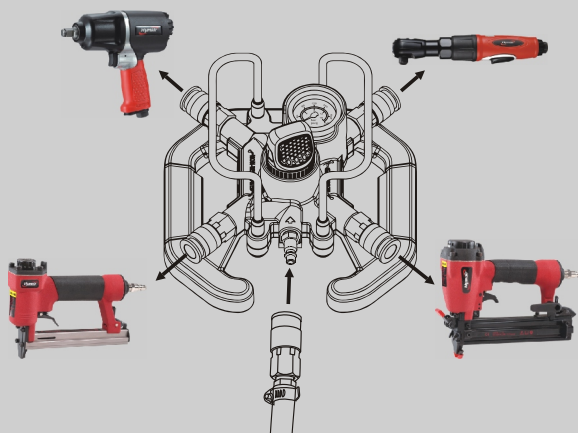
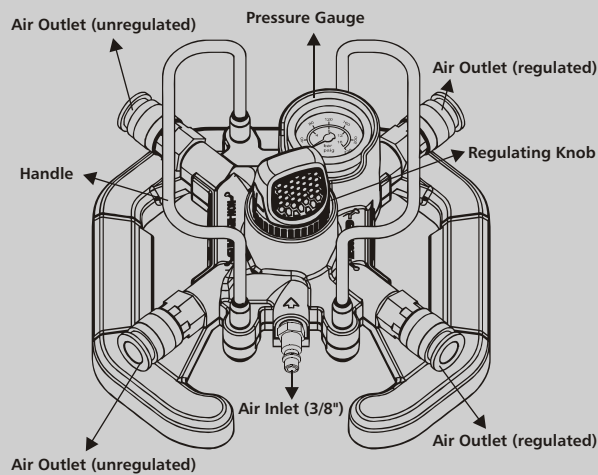
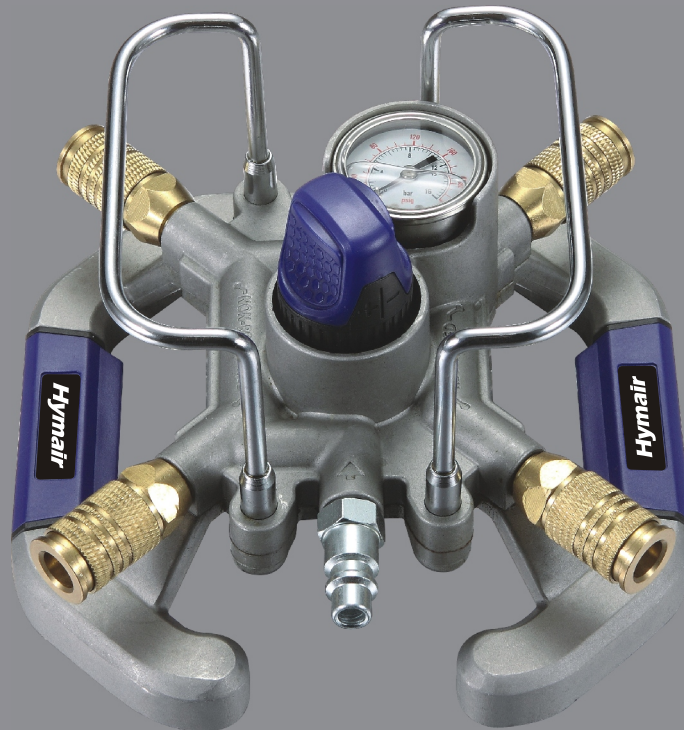


AIR SPLITTER



LS-001 Air Splitter

FEATURES & FUNCTIONS

- All metal construction adds durability
- 3/8" diameter inlet fitting allows for high air flow and reduces pressure drop
- Four 1/4" universal push-to-connect couplers for fast and easy air connection (2 regulated, 2 unregulated)
- Easy-to-read pressure gauge
- Steel carry handle for added protection
- Good application in connecting up to 4 pneumatic tools to a single air line

SPECIFICATIONS

- Air inlet: 3/8"
- Air outlet: 1/4"
- Operating pressure: 125 PSI MAX.
- Operating temperature: -10°F – 160°F
- Inlet air pressure: 200 PSI MAX.
- Gauge accuracy: +/- 5 PSI

AIR HOSES

AB-01

**Air Recoil Hose
w/ Thread-Nut Connector**

Size: Dia.5 x 8 mm x 25 FT
Dia.5 x 8 mm x 50 FT
Dia.6.5 x 9.5 mm x 25 FT
Dia.6.5 x 9.5 mm x 50 FT



AB-02

**Air Recoil Hose
w/ Quick Coupler & Plug**

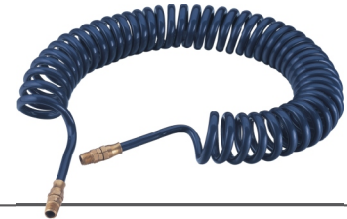
Size: 8 x 5 mm x 25'
8 x 5 mm x 50'
9.5 x 6.5 mm x 25'
9.5 x 6.5 mm x 50'



AB-25

**Pu Recoil Air Hose
w/Swivel Male Nipples**

Size: Dia.5 x 8 mm x 25 FT
Dia.5 x 8 mm x 50 FT
Dia.6.5 x 9.5 mm x 25 FT
Dia.6.5 x 9.5 mm x 50 FT



AB-100

**PVC Air Hose
w/Male Nipples**

Size: 1/4" x 25 FT
3/8" x 50 FT
3/8" x 100 FT
1/2" x 100 FT



AB-50A

**PVC Air Hose
w/Male Nipples**

Size: 1/4" x 25 FT
3/8" x 50 FT
3/8" x 100 FT
1/2" x 100 FT



AB-50B

**PVC Air Hose
w/Male Nipples**

Size: 1/4" x 25 FT
3/8" x 50 FT
3/8" x 100 FT
1/2" x 100 FT



AB-12

**Polyurethane Air Hose
w/Male Nipples**

Size: 1/4" x 50 FT
1/4" x 100 FT



AB-09

Rubber Air Recoil Hose w/Quick Coupler & Plug

Size: 6 x 13 mm x 3 m	8 x 15 mm x 3 m	9.5 x 17 mm x 3 m
6 x 13 mm x 5 m	8 x 15 mm x 5 m	9.5 x 17 mm x 5 m
6 x 13 mm x 10 m	8 x 15 mm x 10 m	9.5 x 17 mm x 10 m
6 x 13 mm x 20 m	8 x 15 mm x 20 m	9.5 x 17 mm x 20 m
6 x 13 mm x 30 m	8 x 15 mm x 30 m	9.5 x 17 mm x 30 m



AB-50C

**Rubber / PVC Air Hose
w/Male Nipples**

Size: 1/4" x 25 FT
5/16" x 50 FT
3/8" x 50 FT



AB-11

Rubber Air Hose Bonus Kit

- 50FT x 3/8" (15M x 9.5mm) Rubber Air Hose w/male fittings at both sides
- Safety Blow Gun w/5 different tips
- 1pc of Quick Coupler, 1/4" female
- 1pc each of 1/4" Plug, male & female

Packaging: 1 kit in a color sleeve/wall accessories to be packed in double blister

COLOR

R BU Y O C G B

Option of a variety of air fittings for air hose



GARAGE AIR FLOW INSTALLATION KIT

STD-046

46 Pc Garage Air Flow Installation Kit

Specifications:

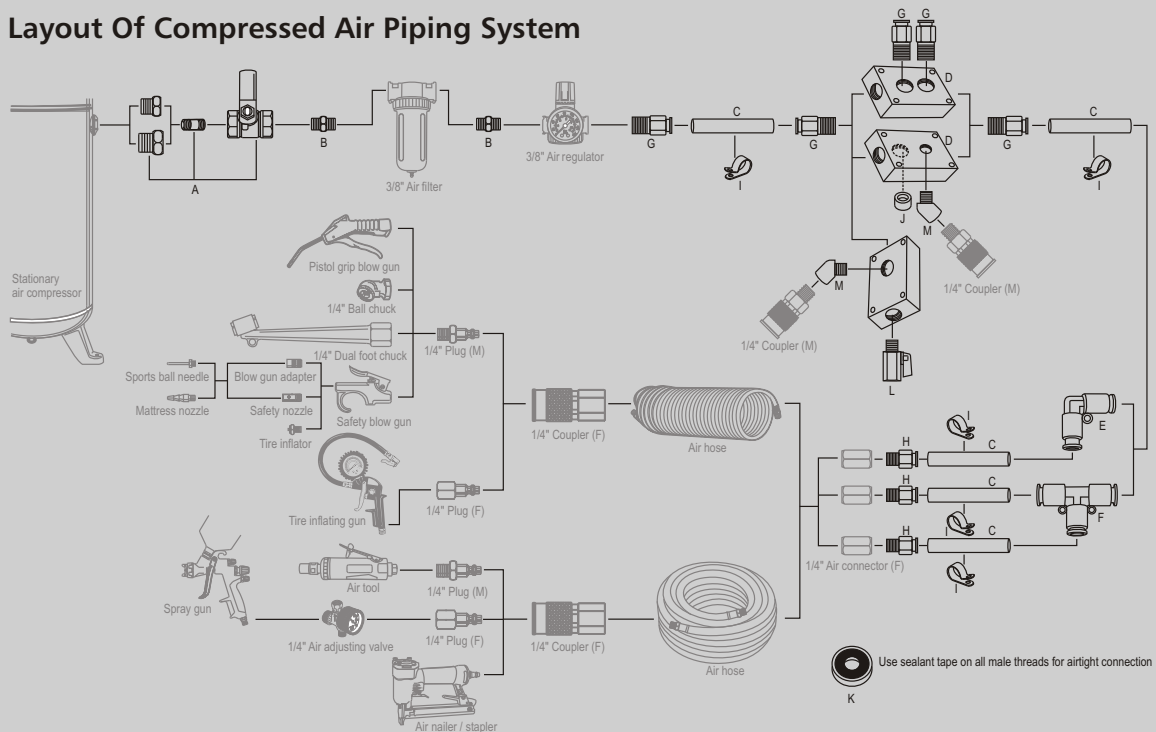
Nylon tubing 1/2" (OD) x 100 Ft.
 Working pressure 150 PSI
 Temperature range -40° F to + 180° F

Includes:

- A – 3/8" Shut off valve kit for stationary air compressor with 1/2" & 3/4" port (1kit)
- B – 3/8" X 3/8" Male adapter (2pc)
- C – 100 ft. x 1/2" Nylon tubing (1pc)
- D – Aluminum block (3pc)
- E – Elbow fitting, 1/2" ID (4 pcs)
- F – Tee fitting, 1/2" ID (2 pcs)
- G – Brass straight fitting, 1/2" ID x 3/8" male (6 pcs)
- H – Brass straight fitting, 1/2" ID x 1/4" male (4 pcs)
- I – Tubing clamp (10 pcs)
- J – Brass plug, 3/8" NPT & 1/4" NPT (2 pieces each) (4 pcs)
- K – Thread sealant tape (1 pc)
- L – Brass drain valve, 3/8" NPT (2 pcs)
- M – Brass adaptor, 45 degree, 3/8" NPT (M) x 1/4" NPT (F) (2 pcs)
- N – Tubing cutter (4 pc)

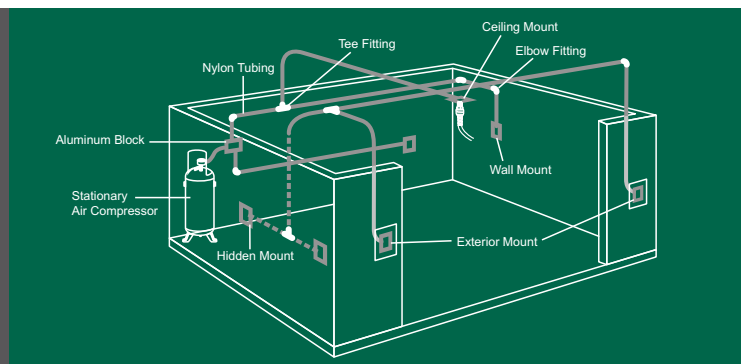


Typical Layout Of Compressed Air Piping System



General Layout Of Air Line System

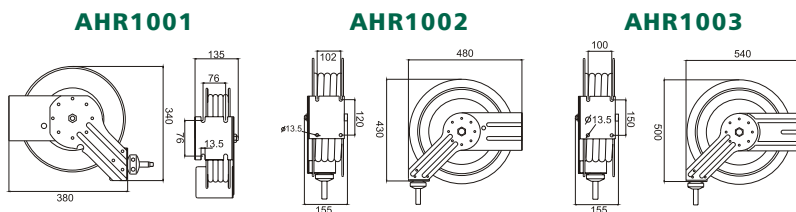
- Most complete compressed air distribution system designed to easily install to wall surfaces of your existing garage or workshop, or beneath walls of new construction.
- Drop down air lines reduce shop clutter and eliminate dragging air hoses and electrical cords around the work area.
- Lightweight and durable nylon tubing, corrosion and abrasion resistant.
- Includes shut-off valve kit for stationary air compressor, aluminum blocks, rapid fittings, and nylon tubing.
- The whole system is engineered to maintain 150 PSI for a variety of applications of air tools and air accessories.



AIR HOSE REELS

AHR1001 | AHR1002 AHR1003A | AHR1003B Air Hose Reel

- Compact for application with critical space requirement
- Heavy-duty steel construction with corrosion resistant powder coating
- L-Shaped base with groove reinforcement ensures stable support
- Four direction non-sag rollers reduce hose wear abrasion
- Multi-position ratchet lock and easy tension adjustment
- Spring fully enclosed and lubricated
- Full flow swivel prevents leakage
- Guide arm adjustable for handing up to 9 positions permits wall, ceiling or floor mount



Model	AHR1001	AHR1002	AHR1003A	AHR1003B
Hose material	RUBBER HOSE OR PVC			
Hose length(FT)	25	50	65	50
Hose I.D.	3/8" ID			1/2" ID
Air Inlet/Outlet	1/4" OR 3/8"			
Working pressure	300 PSI			
Outer casing material	STEEL			
Packing Dim	39x19x43 CM	47.5x21x50 CM	53 CM x 23 CM x 56C M	
Weight	9.5kgs / 22.9 Lbs	16.5kgs / 36.3 Lbs	22.6kgs / 49.7 Lbs	23.1kgs / 50.8 Lbs
Container	900 PCS/ 20 FT, 1900 PCS/ 40 FT	524 PCS/ 20 FT, 1080 PCS/ 40 FT	400 PCS/ 20 FT, 840 PCS/ 40FT	

Low pressure reels furnished standard with rubber hose. Maximum temperature 210°F (100°)

AHR-3001 Retractable Air Hose Reel

Specifications:

Air hose (PVC) 3/8" x 50'
Maximum operation pressure 300 PSI
Air inlet 1/4" (F)
Air outlet 1/4" (M)

Features & Functions:

- Reel style: Retractable
- Steel side-support mounting bracket provides stability and easily mounts to workbench or wall
- Guide arm adjusts to 45 degree enabling easy use when mounted
- Hose guide uses a 4-roller design to help reduce hose wear
- 3/8" x 3' lead hose included



AIR HOSE REELS

AHR-3875

Heavy-duty Retractable Air Hose Reel & Hose

Specifications:

Reel style retractable
Reel capacity (air hose) 75'x3/8"
Operating pressure (max) 300PSI
Air inlet 1/4" NPT (Female)
Air outlet 1/4" NPT (Male)

Features:

- Reinforced steel body for long-lasting durability
- Steel side-support mounting bracket provides stability and easily mounts to workbench or wall
- Guide arm adjusts to 50° enabling easy use when mounted
- Hose guide uses a 4-roller design to help reduce hose wear
- 2' X3/8" PVC & rubber lead hose included



AHR-0910

Manual Air Hose Reel

Specifications:

Reel style manual
Air hose 1/4" x 15 m PVC air hose
Max. Pressure 300 PSI
Air inlet 1/4" quick-connect plug
Air outlet 1/4" quick-connect coupler

Features:

- Compact and lightweight for easy transport
- Reinforced plastic construction
- Flat base for added stability
- Lock plate secures hose after air hose length is set
- Includes 1/4" x 15 m PVC air hose



AHR-0920

Manual Air Hose Reel

Specifications:

Reel style manual
Air hose 1/4" x 15 m PVC air hose
Max. Pressure 300 PSI
Air inlet 1/4" quick-connect plug
Air outlet 1/4" quick-connect coupler

Features:

- Compact and lightweight for easy transport
- Reinforced plastic construction
- Flat base for added stability
- Lock plate secures hose after air hose length is set
- Includes 1/4" x 15 m PVC air hose



AIR HOSE REELS

AHR-4001

Manual Air Hose Reel

Specifications:

Air hose (PVC)	3/8" x 50'
Maximum operation pressure	300 PSI
Air inlet	1/4" (F)
Air outlet	1/4" (M)

Features:

- Reel style: Manual
- Compact and durable construction
- Beveled flanges
- Reinforced steel mounting bracket on bottom easily mounts to workbench or wall
- Brake rod function secures hose after air hose length is set
- Prevents kinks while rewinding hose
- 3/8" x 3' lead hose included



AHR-0911

3/8" x 50 Ft. Retractable Air Hose Reel

Specifications:

Air hose	3/8" x 50 Ft. Hybrid air hose
Max. Pressure	300 PSI
Air inlet	1/4" Male
Air outlet	1/4" Male

Features:

- Reel style: Retractable
- Lightweight and ergonomic design
- Reinforced fully-enclosed plastic housing for durability
- Tangle-free mechanism for smooth operation
- Hybrid air hose for all-weather flexibility even in freezing temperatures
- Features 180 degree swivel mounting bracket, hose window and carry handle



AHR-8010 | AHR-8015 | AHR-8020

Air Hose Reel

Hose material:	PVC/PU/PU-MESH
Hose length:	10 M+1 M (AHR-8010) / 15 M+1 M (AHR-8015) 20 M+1 M (AHR-8020)
Hose I.D.:	8 x 12 MM
Air inlet/Outlet:	1/4"
Max. working pressure:	8 BAR (120 PSI)
Burst pressure:	24 BAR (340 PSI)
Working temperature:	-10 °C - +50 °C
Outer casing material:	PP
Dimensions:	33 x 27 x 17 CM (AHR-8010) 35 x 30 x 17 CM (AHR-8015) 38 x 30 x 19 CM (AHR-8020)
Weight:	4.0 KGS (AHR-8010) / 7.7 KGS (AHR-8015) 8.8 KGS (AHR-8020)

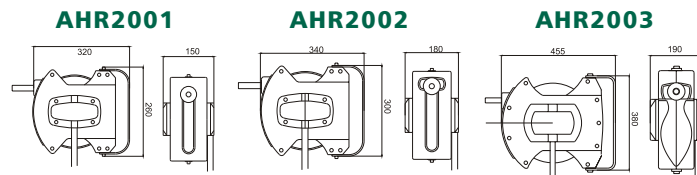


AIR HOSE REELS

AHR2001 | AHR2002 | AHR2003

Air Hose Reel

- Durable construction—made from high quality impact resistant polypropylene
- Positive latching mechanism—automatically locks hose at desired length
- Integral wall/overhead swivel bracket
- PU and PVC hoses available



Model	AHR2001	AHR2002	AHR2003
Hose material	PU	PVC	
Hose length(FT)	33 FEET		50 FEET
Hose I.D.	6.5x10 MM	1/4" OR 3/8"	
Air Inlet/Outlet	1/4"		
Working pressure	120 PSI	300 PSI	
Outer casing material	PLASTIC		
Outer Carton	30x15.5x30 CM	31x19x36 CM	39x19x43 CM
Weight	3.6kgs / 7.9 Lbs	4.5kgs / 9.9 Lbs	7kgs / 15.4 Lbs
Container	2000PCS/20FT, 4133PCS/40FT	1176PCS/20FT, 2520PCS/40FT	715PCS/20FT, 1485PCS/40FT

AHR7001-A | AHR7001-B AHR7001-C | AHR7001-D

Air Hose Reel

- Durable construction—made from high quality impact resistant polypropylene
- Positive latching mechanism—automatically locks hose at desired length
- Integral wall/overhead swivel bracket
- PU and PVC hoses available



Model	AHR7001-A	AHR7001-B	AHR7001-C	AHR7001-D
Hose material	PU	PU MESH	PU	PU MESH
Hose length(FT)	39 (12M)		33(10M)	
Hose I.D.	6.5X10MM		8X12MM	
Air Inlet/Outlet	1/4"			
Working pressure	120PSI	300PSI	120PSI	300PSI
Outer casing material	PLASTIC			
Inner Packing Dim	32X18X33.5CM			
Weight	3kgs / 6.6 Lbs			
Outer Carton	76X33X35CM (4PCS)			
Weight	14kgs / 30.8 Lbs			
Container	1344PCS/20FT, 2772PCS/40FT			

AIR HOSE REELS



AHR-9001 Air Hose Reel

- Material: PVC / PU / PO
- Size: Dia. 8 x 12 mm x 9 M
- Input hose: Dia. 8 x 12 mm x 1 M
- Output hose: Dia. 8 x 12 mm x 9 M
- Working pressure: 8–10 Bar
- Explosion pressure: 24–30 Bar
- Packing dimensions: 315 x 270 x 170 mm
- Carton dimensions: 560 x 330 x 360 mm (4 pcs/ctn.)
- N.W./G.W.: 3.1 kgs / 3.6 kgs
- Container load: 1820 pcs/20'; 3840 pcs/40';



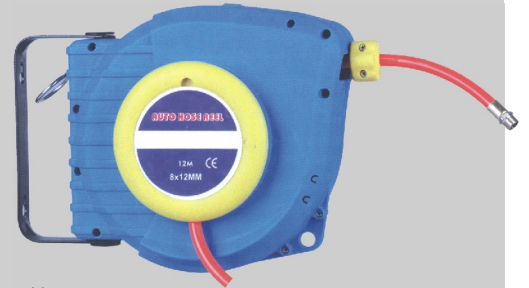
AHR-9003 Air Hose Reel

- Material: PVC / RUBBER / PU
- Size: Dia. 9.5 x 15.8 mm x 15 M (PVC / RUBBER)
Dia. 8 x 12 mm x 15 M (PU)
- Input hose: Dia. 9.5 x 15.8 mm x 1.5 M (PVC / RUBBER)
Dia. 8 x 12 mm x 1.0 M (PU)
- Output hose: Dia. 9.5 x 15.8 mm x 15 M (PVC / RUBBER)
Dia. 8 x 12 mm x 15 M (PU)
- Working pressure: 10–15 Bar
- Explosion pressure: 30–40 Bar
- Packing dimension: 470 x 210 x 380 mm
- N.W./G.W.: 7.0 kgs / 7.7 kgs
- Container load: 746 pcs/20'; 1546 pcs/40'



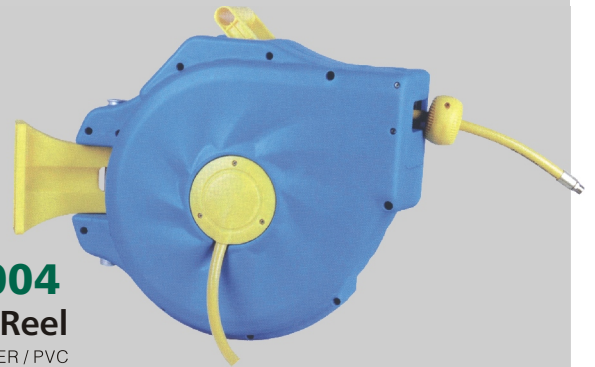
AHR-9005 Air Hose Reel

- Material: RUBBER / PVC
- Size: Dia. 9.5 x 15.8 mm x 30 M
- Input hose: Dia. 9.5 x 15.8 mm x 2 M
- Output hose: Dia. 9.5 x 15.8 mm x 30 M
- Working pressure: 15 Bar
- Explosion pPressure: 40 Bar
- Packing dimensions: 575 x 280 x 475 mm
- N.W./G.W.: 12.8 kgs / 14.1 kgs
- Container load: 395 pcs/20'; 900 pcs/40'



AHR-9002 Air Hose Reel

- Material: PVC / PU / PO
- Size: Dia. 6.5 x 10 mm x 12 M
- Input hose: Dia. 6.5 x 10 mm x 1 M
- Output hose: Dia. 6.5 x 10 mm x 12 M
- Working pressure: 8–10 Bar
- Explosion pressure: 24–30 Bar
- Packing dimensions: 315 x 270 x 170 mm
- Carton dimensions: 560 x 330 x 360 mm (4 pcs/ctn.)
- N.W./G.W.: 4.8 kgs / 5.2 kgs
- Container load: 1820 pcs/20'; 3840 pcs/40';



AHR-9004 Air Hose Reel

- Material: RUBBER / PVC
- Size: Dia. 9.5 x 15.8 mm x 20 M
- Input hose: Dia. 9.5 x 15.8 mm x 2 M
- Output hose: Dia. 9.5 x 15.8 mm x 20 M
- Working pressure: 15 Bar
- Explosion pressure: 40 Bar
- Packing dimensions: 535 x 240 x 425 mm
- N.W./G.W.: 9.7 kgs / 10.7 kgs
- Container load: 543 pcs/20'; 1112 pcs/40'



AHR-9100-1 AHR-9100-2 Air Hose Reel

- Hose material: PU MESH or PVC
- Hose length(FT): 100
- Hose I.D.: 1/4 ID / 3/8 ID
- Air Inlet/Outlet: 1/4" or 3/8"
- Working pressure: 300Psi
- Burst pressure: 900Psi
- Outer casing material: Steel
- Packing dim: 340x300x370 MM
- N.W./G.W: 9.5/11 KGS / 10.5 X 12 KGS
- Container: 700 PCS / 20 FT