

## Description

UTB-101 temperature transmitter uses thermoresistors or thermocouples to measure the temperature, and transfers the temperature signals to 4~20mA (2-wire) current output signal.

UTB-101 temperature transmitter has many division values for options. This product is widely used for temperature measurement of different liquids or gas in petroleum, chemical industry and metallurgy industry etc.



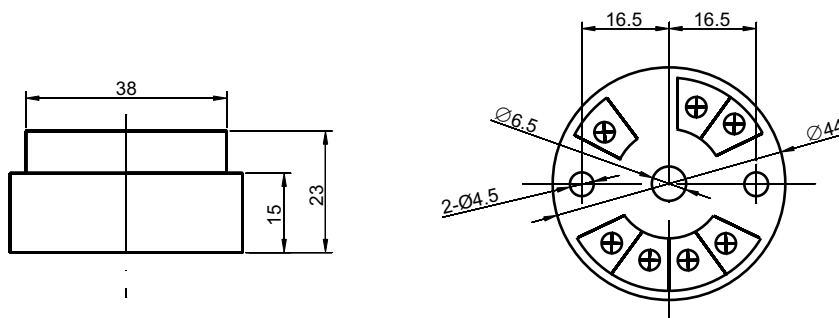
## Features

- Small size, high accuracy and good stability
- Smart type transmitter
- Switch different indexing number intelligently, the software operation is easy and convenient.

## Specifications

input signal	TC(thermocouple): B,S,K,E,J,T; TR(thermoresistor): PT100,PT100.1,Cu50
accuracy	0.5%FS
power supply	12~30V DC
ambient temperature range	-40~+85°C
operating temperature range	-40~+85°C
temperature drift	≤0.25°C/25°C
impedance	≥10MΩ
weight	50g
mounting means	junction box installation

## Dimensions



## Ordering code

UTB-101			
code	measuring range		
(X1~X2)	-199~+850°C (X1,X2 is lower limit and higher limit of measuring temperature respectively)		
	code	input signal(indexing number)	
	TC	thermocouples ( B, S,K, E, J, T, WRe )	
	TR	thermoresistors (Pt100, Pt100. 1, Cu50)	
UTB-101	-100~+850	TR	Pt100