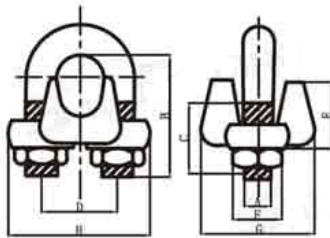




# WIRE ROPE CLIP 卡头

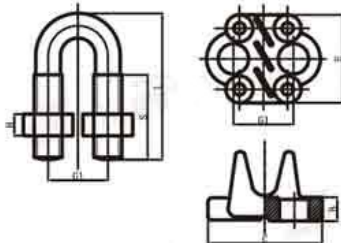
# WIRE ROPE CLIP

## US Type Drop Forged Wire Rope Clips 美式模锻卡头



Size (in)	Dimensions (in)								Weight 100pcs (lbs)
	A	B	C	D	E	F	G	H	
1/8	0.22	0.72	0.44	0.47	0.37	0.38	0.81	0.99	6
3/16	0.25	0.97	0.56	0.59	0.50	0.44	0.94	1.18	10
1/4	0.31	1.03	0.5	0.75	0.66	0.56	1.19	1.43	19
5/16	0.38	1.38	0.75	0.88	0.73	0.69	1.31	1.66	28
3/8	0.44	1.5	0.75	1	0.91	0.75	1.63	1.94	48
7/16	0.5	1.88	1	1.19	1.13	0.88	1.91	2.28	78
1/2	0.5	1.88	1	1.19	1.13	0.88	1.91	2.28	80
9/16	0.56	2.25	1.25	1.31	1.34	0.94	2.06	2.5	109
5/8	0.56	2.25	1.25	1.31	1.34	0.94	2.06	2.5	110
3/4	0.62	2.75	1.44	1.5	1.39	1.06	2.25	2.84	142
7/8	0.75	3.12	1.62	1.75	1.58	1.25	2.44	2.16	212
1	0.75	3.5	1.81	1.88	1.77	1.25	2.63	3.47	252
1 1/8	0.75	3.88	2	2	1.91	1.25	2.81	3.59	283
1 1/4	0.88	4.44	2.22	2.34	2.17	1.44	3.13	4.13	438
1 3/8	0.88	4.44	2.22	2.34	2.31	1.44	3.13	4.19	442
1 1/2	0.88	4.94	2.38	2.59	2.44	1.44	3.41	4.44	544
1 5/8	1	5.31	2.62	2.75	2.66	1.63	3.63	4.75	704
1 3/4	1.13	5.75	2.75	3.06	2.92	1.81	3.81	5.24	934
2	1.25	6.44	3	3.38	3.03	2	4.44	5.88	1300
2 1/4	1.25	7.13	3.19	3.88	3.19	2	4.56	6.38	1600
2 1/2	1.25	7.69	3.44	4.13	3.69	2	4.69	6.63	1900
2 3/4	1.25	8.31	3.56	4.38	4.88	2	5	6.88	2300
3	1.5	9.19	3.88	4.75	4.44	2.38	5.31	7.61	3100
3 1/2	1.5	10.75	4.5	5.5	6	2.38	6.19	8.38	4000

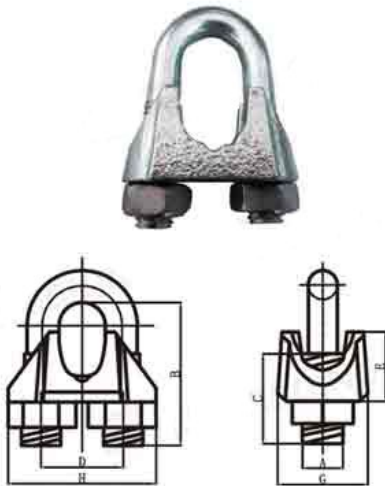
## JIS Type Drop Forged Wire Rope Clips 日式模锻卡头



Size (mm)	Dimensions (mm)								Weight (lbs)
	B	C	E	G1	Thread Dia	H	L	S	
6	6	29	24	14	6	5	35	20	0.1
8	6	36	31	18	8	6.5	40	20	0.18
10	7	45	35	22	10	8	50	28	0.33
12	8	51	39	26	12	10	60	35	0.55
14	9	53	45	28	12	10	65	40	0.64
16	10	60	48	32	14	11	75	45	0.77
18	11	62	53	34	14	11	80	50	0.99
20-22	12	78	62	44	18	15	100	60	2.12
24-25	13	86	68	48	20	16	110	65	2.76

# WIRE ROPE CLIP

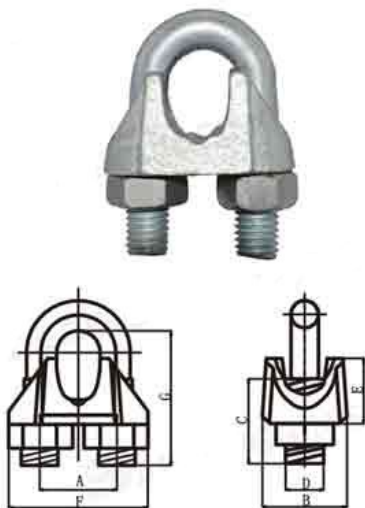
## US Type Galv Malleable Wire Rope Clips 美式玛钢卡头



Size (in)	Dimensions (in)							Weight 100 pcs (lbs)
	A	B	C	D	E	G	H	
1/8	1/4	13/16	1/2	1/2	7/16	1/2	15/16	3.3
3/16	1/4	31/32	5/8	9/16	1/2	9/16	1 1/16	6.6
1/4	5/16	1 7/32	7/8	11/16	5/8	11/16	1 3/8	11.42
5/16	5/16	1 7/32	7/8	11/16	11/16	11/16	1 3/8	13.1
3/8	3/8	1 5/8	1	7/8	13/16	7/8	1 5/8	22
7/16	3/8	1 5/8	1	7/8	13/16	15/16	1 5/8	25.2
1/2	7/16	2	1 1/4	1	1 1/16	1	1 7/8	38.4
9/16	1/2	2 5/16	1 15/32	1 3/16	1 3/16	1 1/8	2 3/16	49.73
5/8	1/2	2 5/16	1 15/32	1 3/16	1 5/16	1 1/8	2 3/16	54.76
3/4	9/16	2 9/16	1 3/4	1 11/32	1 1/2	1 1/4	2 7/16	80.53
7/8	5/8	3 1/16	1 13/16	1 5/8	1 3/4	1 3/4	2 7/8	117.35
1	5/8	3 3/8	2 1/16	1 3/4	1 15/16	2	3	150.6
1 1/8	3/4	3 7/8	2 3/16	2 1/16	2 3/16	2 1/8	3 7/16	243
1 1/4	3/4	3 7/8	2 3/16	2 1/16	2 3/8	2 1/2	3 7/16	262
1 3/8	7/8	4 1/2	2	2 9/16	2 7/8	3 1/8	4 3/16	456
1 1/2	7/8	4 1/2	2	2 9/16	3	3 1/4	4 1/4	512

## US Type Galv Malleable Wire Rope Clips (Metric Thread)

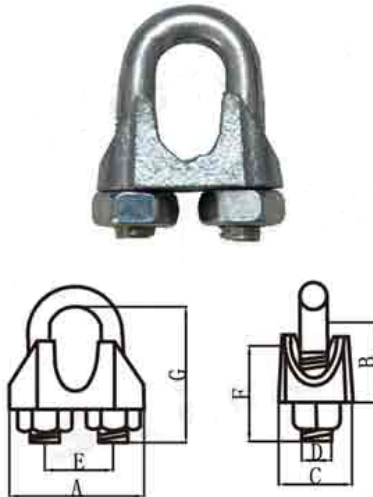
### 公制丝美式玛钢卡头



Size (mm)	Dimensions (mm)							Weight 100 pcs (lbs)
	A	B	C	D	E	F	G	
4	11	14	14	5	10.8	22	20	3.57
5	13.5	15	16	6	13	26	24	5.91
6	17	18.5	20	8	15	32	31	12.2
8	18.3	20	22	8	16	35	34	13.68
10	22.5	22	27	10	22	40.5	41	25.11
11	24	23	30	10	22	43	42	28
12	27	26	35	12	23.3	49	53	43.07
14	30	26.5	40	12	27	52.5	54	47.3
16	33	28.5	40	14	28	57.5	59	65.29
20	34.5	32	42	14	34	61	68	80
22	41	37	46	16	38	71	78	119.6
25	45.5	42	55	16	43	77.5	87	152.69

# WIRE ROPE CLIP

## DIN 741 Malleable Wire Rope Clips DIN741卡头



Size(mm)	Dimensions (mm)							Weight 100pcs(lbs)
	A	B	C	D	E	F	G	
3	21	10	10	4	9	12	16.6	3.09
5	23	10	11	5	11	13	19.65	3.3
6.5	26	11	12	5	13	15	23.65	4.63
8	30	15	14	6	16	19	28.85	9.04
10	34	17	18	8	19	22	35	15
11	36	18	19	8	20	22	37	15.87
13	40	21	23	10	24	30	46.24	28.7
14	44	22	23	10	25	30	48.24	29.76
16	50	26	26	12	29	33	52.5	46.3
19	54	30	29	12	32	38	64.5	61.7
22	61	34	33	14	37	44	72.5	88.2
26	65	37	35	14	41	45	82.5	97.0
30	74	43	37	16	48	50	95.6	145.5
34	80	50	42	16	52	55	105.6	187.4
40	88	55	45	16	58	60	125.6	229.3

## DIN 1142 Malleable Wire Rope Clips DIN1142卡头



Size(mm)	Dimensions(mm)							Weight 100pcs (lbs)
	a	b1	b2	d	h1	h2	l	
5	13	7	13	5	25	13	25	5
6.5	17	8	16	6	32	14	30	9
8	20	10	20	8	41	18	39	18
10	24	12	20	8	46	21	40	20
13	30	15	28	12	64	29	55	61
16	35	18	32	14	76	35	64	95
19	36	22	32	14	83	40	68	108
22	40	24	34	16	96	44	74	150
26	50	26	38	20	111	51	84	258
30	55	34	41	20	127	59	95	309
34	60	38	45	22	141	67	105	470
40	65	44	49	24	159	77	117	591

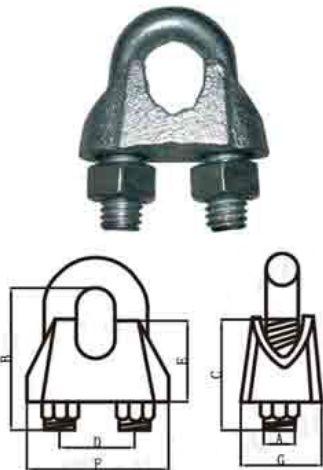
# WIRE ROPE CLIP

## Galv Malleable Wire Rope Clips Type A A型玛钢卡头



Size(mm)	Dimensions(mm)							Weight 100pcs (lbs)
	A	B	C	D	E	F	G	
6	23	14	17	5	12	14	24	5.5
8	28	17	21	6	15	16	30	9.9
10	38	21	28	8	19	20	37	19.84
12	45	27	34	10	24	25	47	39.68
15	52	32	40	12	29	30	56	61.73
20	62	38	46.5	14	36	36	70	103.62
22	69	43	51.5	16	40	39	77	136.68
25	76	50	56	18	43	44	85	187.4
28	85	57	62	20	48	48	95	264.55
32	93	61	67	22	55	51	108	346.12
40	111	73	81	24	64	62	120	575.4
45	123	86	88	27	72	70	137	800
50	135	95	95	30	80	88	154	1058.2

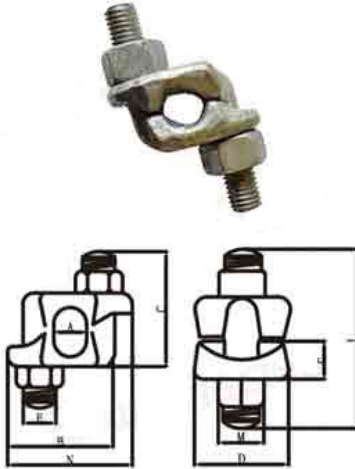
## Galv Malleable Wire Rope Clips Type B B型玛钢卡头



Size(in)	Dimensions(mm)							Weight 100pcs(lbs)
	A	B	C	D	E	F	G	
1/8	4	20	12	9	9.5	19	12	2.6
3/16	5	26.3	14	11	10.8	22	13.5	3.74
1/4	6	26	14	12.5	11.5	25	15.5	5.58
5/16	6	30	16	15.5	16	31	18	8.38
3/8	8	37.5	20	21	20	40	22	17.48
1/2	10	46.4	24	25	26	47	25	31.7
5/8	12	57.1	28	30	31	55	28	50.88
11/16	12	64.25	40	33	35	58.5	28.5	59
3/4	16	71	34	36.5	36	65	31	98
7/8	16	77.4	38	40	43	72	36	125.9
1	20	88.1	44	45	48	80	40	194.9

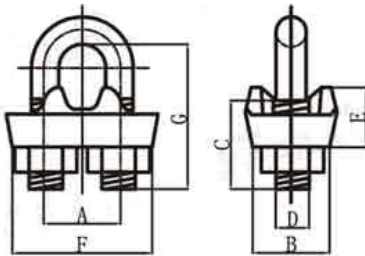
# WIRE ROPE CLIP

## US Type Fist Grip Clips 合式卡头



Size (in)	Dimensions(in)									Weight 100pcs (lbs)
	A	B	C	D	E	G	Approx L	M	N	
3/16-1/4	0.25	1.25	0.34	0.94	0.38	1.28	1.36	0.69	1.47	18
5/16	0.31	1.34	0.44	1.06	0.38	1.47	1.94	0.69	1.56	28
3/8	0.38	1.59	0.50	1.06	0.44	1.81	2.38	0.75	1.88	40
7/16-1/2	0.50	1.88	0.56	1.25	0.50	2.19	2.75	0.88	2.19	70
9/16-5/8	0.63	2.28	0.69	1.50	0.63	2.69	3.50	1.06	2.63	100
3/4	0.75	2.69	0.88	1.81	0.75	2.94	3.75	1.25	3.06	175
7/8	0.88	2.97	0.97	2.13	0.75	3.31	4.13	1.25	3.14	225
1	1.00	3.06	1.19	2.25	0.75	3.72	4.63	1.25	3.53	300
1-1/8	1.13	3.44	1.28	2.38	0.88	4.19	5.25	1.44	3.91	400
1-1/4	1.25	3.56	1.34	2.50	0.88	4.25	5.25	1.44	4.03	400
1-3/8-1-1/2	1.50	4.13	1.56	3.00	1.00	5.56	7.00	1.63	4.66	700

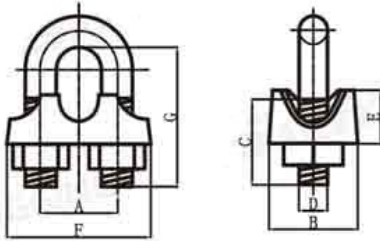
## B.S 462 Hot Dipped Galv Malleable Wire Rope Clips 英制卡头 BS-462卡头



Size (mm)	Dimensions (mm)							Weight 100 pcs(lbs)
	A	B	C	D	E	F	G	
6	13	14	16	6	11	25	24	6.62
8	17	18	21	8	14	33	32	8.82
9	20.5	23	25	10	18	40	38	18.75
11	24	28	31	12	22	48	46	20.96
13	28.5	32	36	14	25	56	54	61.78
14	30	32	36	14	25	58	56	94.88
16	32	32	38	14	25	60	60	108.12
19	37	37	43	16	29	69	70	150
21	41	41	49	18	32	77	78	258.16
22	43	41	49	18	32	79	81	397.17
26	49	46	56	20	36	89	92	470
29	52	46	57	20	36	92	98	591.35

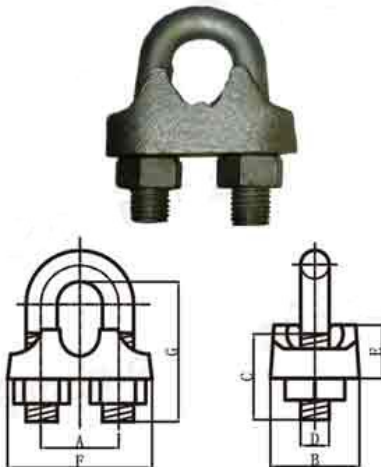
# WIRE ROPE CLIP

## Austria Type Wire Rope Clips 奥地利式卡头



Size (in)	Dimensions (mm)							Weight 100 pcs(kg)
	A	B	C	D	E	F	G	
1/8	9	9.5	12	4	7	18	16	0.8
3/16	11	10	13	5	8.5	22	19	1.3
1/4	13	10.5	15	5	10	24	23	1.6
5/16	15.5	12	19	6	11.5	28	28	2.5
3/8	19	16.5	22	8	13	32.5	34	5.3
7/16	20	18	23	8	16	36	36	6.7
1/2	24	20	30	10	18.5	42	46	11
9/16	25	23.5	30	10	22.5	43	46	12.7
5/8	29	26	34	12	25	48.5	51	19.2
3/4	33	29	37	12	30	53	63	24.4
7/8	36	31	44	12	33	57	74	30
1	42	33	50	14	35	65	81	42
1 1/8	50	36	50	16	43	76	92	55
1 1/4	54	40.5	55	16	49	83	98	68
1 1/2	58	44	60	16	55	89	124	80
1 3/4	68	57	60	18	72	111	139	171
2	75	61	90	18	72	118	157	194

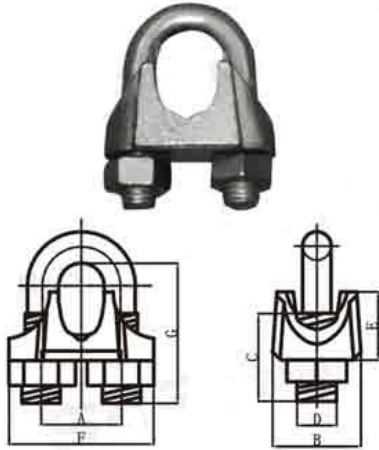
## Australian Type Hot Dipped Malleable Wire Rope Clips 澳式卡头



Size (mm)	Dimensions (mm)							Weight 100 pcs (lbs)
	A	B	C	D	E	F	G	
8	18	19	22	8	14	34	32	13.8
10	22	23	28	10	17	42	40	26.48
12	26	30	33	12	20	50	48	46.33
14	28	30	33	12	21.5	52	52	50.75
16	34	38	44	16	26.5	66	64	105.9
18	36	38	44	16	27	68	68	116.06
20	38	38	44	16	30	70	72	119.15
22	40	38	44	16	31.5	72	76	127.9
26	50	48	55	20	37.5	90	92	247.13
28	52	48	55	20	39	92	96	—
32	56	48	55	20	41	96	104	—
36	64	58	66	24	48	112	120	—
40	68	58	66	24	50	116	128	—

# WIRE ROPE CLIP

## ASTM Galv Malleable Wire Rope Clips ASTM卡头



Size (in)	D	Dimensions (mm)						Weight 100 pcs(lbs)
		A	B	C	E	F	G	
1/8	3/16-24	12.7	12	12	11	23	20	4.19
3/16	1/4-20	14	14	15	12	26	24	6.62
1/4	5/16-18	17	19	19	15	34	30	13.01
5/6	5/16-18	17	21	22	16	34	30	14.12
3/8	3/8-16	22	22	25	19	41	41	21.62
7/16	3/8-16	22	25	25	22	41	41	23.17
1/2	7/16-14	25	26	31	25	47	55	36.19
9/16	1/2-13	28	31	37	30	55	50	38.17
5/8	1/2-13	30	33	37	31	55	58	56.05
3/4	9/16-12	34	39	41	33	61	63	83.19
7/8	5/8-11	41	47	46	44	69	77	138.13
1	5/8-11	44	50	52	52	77	85	150

## Simplex Wire Rope Clips & Duplex Wire Rope Clips 单式卡头 双式卡头



Size(mm)	Type	Weight 100pcs(lbs)
2	Simplex	2.34
	Duplex	4.87
3	Simplex	3.08
	Duplex	6.17
4	Simplex	5.45
	Duplex	10.8
5	Simplex	6.81
	Duplex	14.33
6	Simplex	10.8
	Duplex	21.2
8	Simplex	24.25
	Duplex	47.9
10	Simplex	37.5
	Duplex	73.91